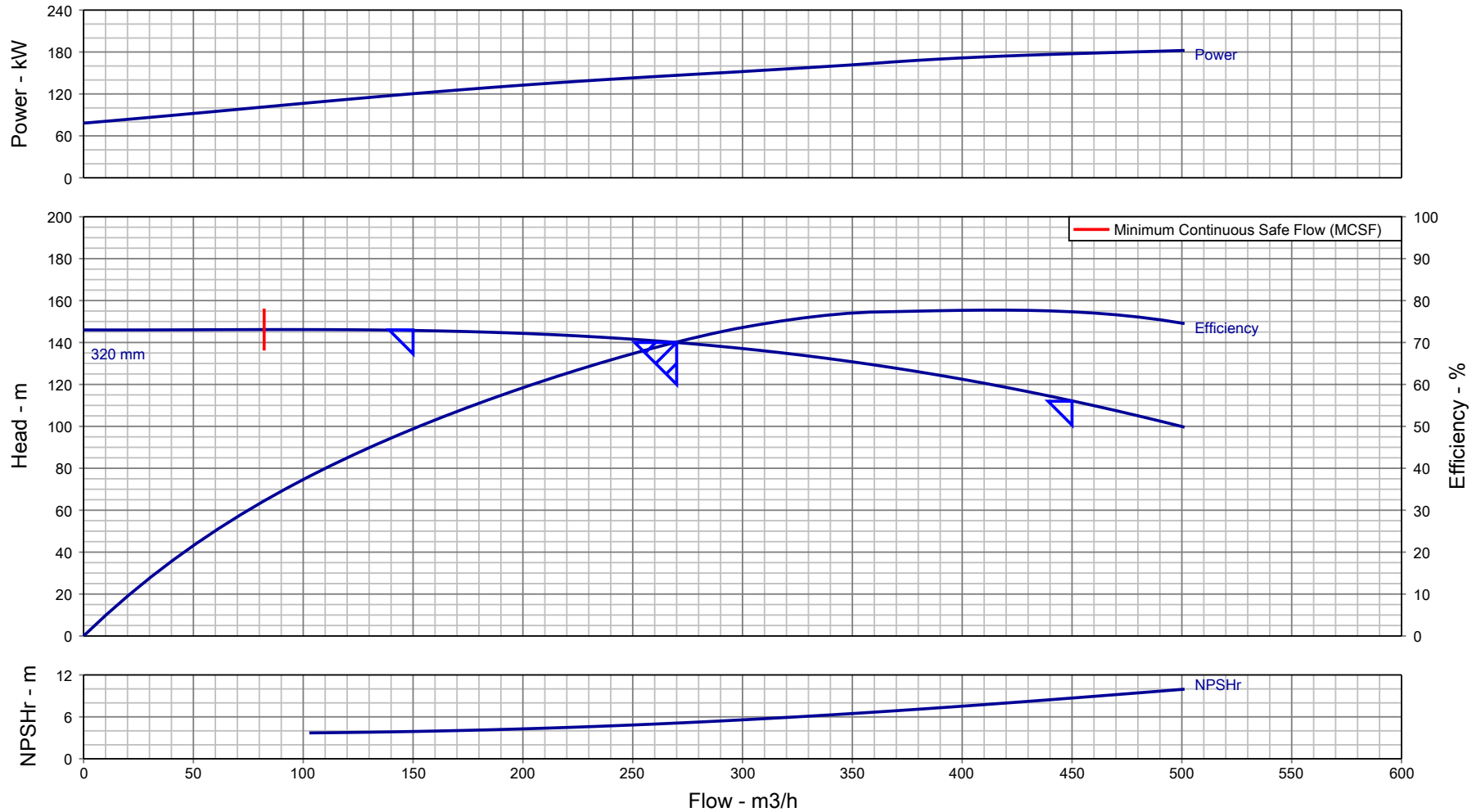


LD6B Series**Diesel Engines for Fire Pump (Power: 200kw/2900rpm)**

- **Advanced Technology & Design** Origin from Germany FEV, Yuchai companies, with more compact structures, engine overhaul can meet more than 12000 hours;
- **Common Parts Supply System** Parts will share Yuchai engines parts supply system, cheap and easy to get in current market;
- **Environmentally Operation** Fuel consumption will lower 205g/kw.h, with lesser vibration, noise; best choice for small machines

Model	6B270L
Type	Vertical, in-line, water-cooled, 4-stroke
Intake Way	Turbocharged& Inter-cooler
No Cylinders, Bore x Stroke (mm)	6-108×125
Displacement (L)	6.9
Compression ratio	17.5:1
Rated power/speed (kW/r/min)	200/2900
Horse power	272
Min fuel consumption g/(kW·h)	≤200
Oil capability(L)	14~17
Oil Consumption g/(kW·h)	≤1.0
Starting Type	Electric start
Noise limit dB (A)	≤102
Type of Governor	Mechanical
Governing Rate	≤5%
Flywheel house/flywheel	2#11.5
Applicable altitude(m)	≤2500
Dimension(mm)	2000×1000×1500
Net weight (kg)	800

Pump Performance Curve



Customer :	Pump Size/ Stages : CPHM 125/32_2900RPM/ 1	Flow, rated : 270.0 m ³ /h
Customer enquiry :	Speed, rated : 2980 rpm	Differential Head : 140.0 m
Project : Default	Based on curve number : HA13792136 Rev 1	Fluid density rated : 0.999 kg/dm ³
Quote number : 312657	Viscosity : 1.00 cSt	Efficiency : 70.11 %
Item number : 001	Cq/Ch/Ce/Cn [HI2010] : 1.00 / 1.00 / 1.00 / 1.00	Power, rated : 147 kW
Quantity : 1	Minimum recommended driver rating : 180 kW / 241 hp	NPSH required : 5.11 m
Date last saved : 08 Dec 2020 9:20 AM	Performance testing standard : ISO 9906 / ANSI-HI 14.6 Gr 2B	Liquid Type/ Application : Chemical

Notes: 1. Performance at shut off condition is approximate. 2. Rated impeller diameter is approximate. 3. Only duty point is guaranteed as per testing standard.

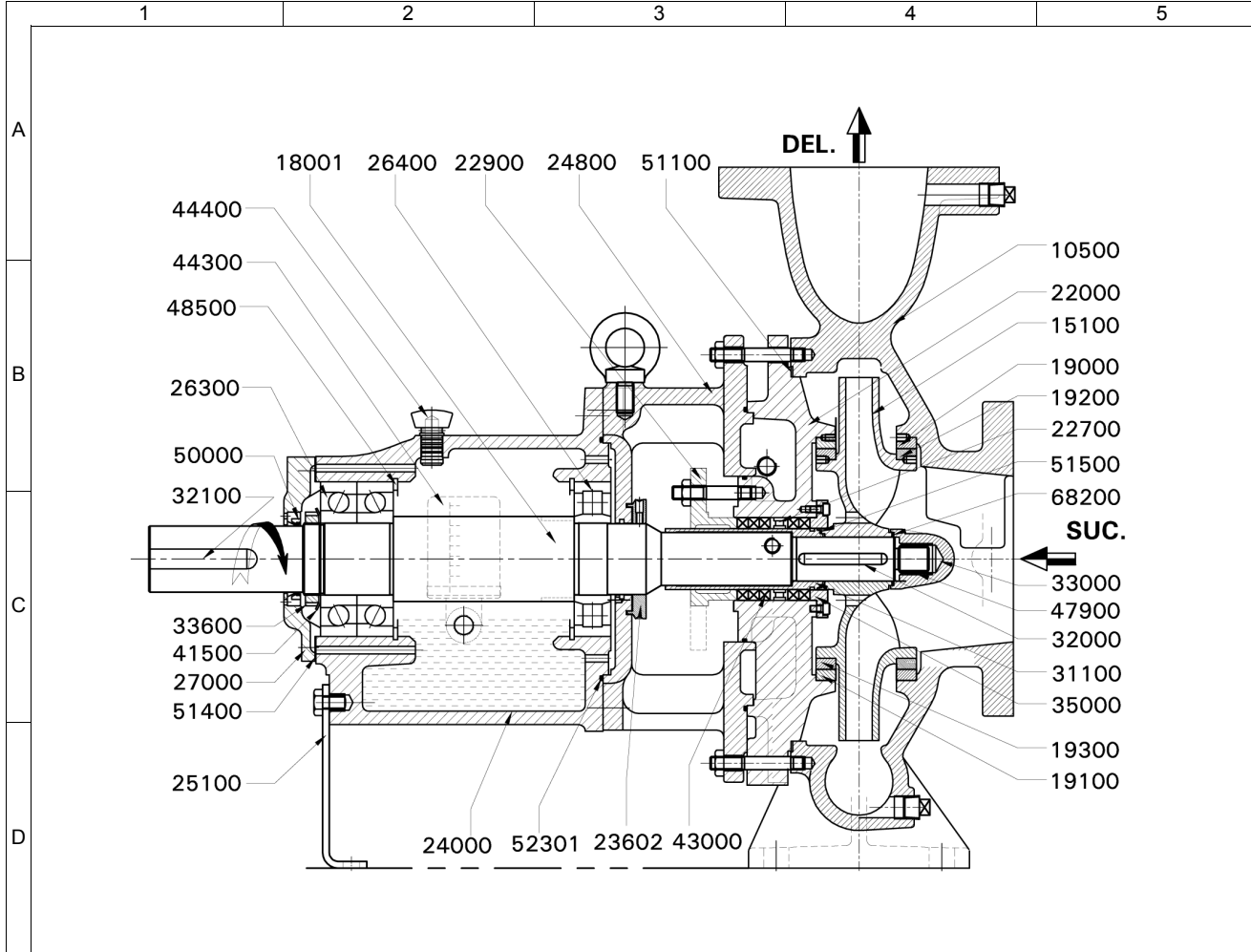


Enriching Lives

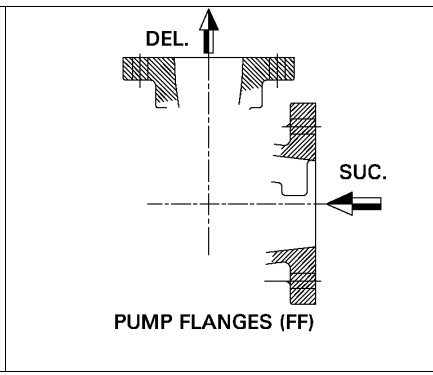
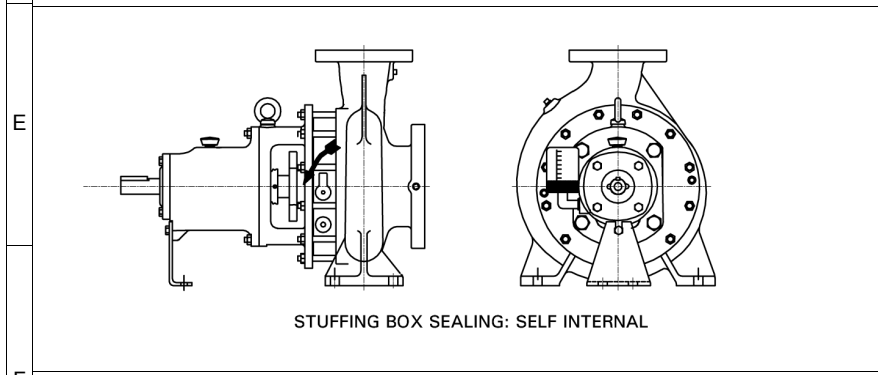
Pump Performance Datasheet			
General			
Customer	:	Quote number	: 312657
Customer Enquiry No.	:	Pump model	: CPHM 125/32_2900RPM
Project	: Default	Stages	: 1
End user	: -	Based on curve number	: HA13792136 Rev 1
Tag number	: 001	Date last updated	: 08 Dec 2020 9:20 AM
Service	: -	Quantity of pumps	: 1
Operating Conditions		Liquid	
Flow, rated	: 270.0 m3/h	Liquid handled	: Chemical
Suction pressure, rated / max	: 0.00 bar.g / 0.00 bar.g	Additional liquid description	: Fresh Water
Discharge pressure, rated	: 13.71 bar.g	Temperature, max	: 20.00 deg C
Head, rated (requested)	: 140.0 m	Solids diameter, max	: 0.00 mm
NPSH available, rated	: Value not specified	Solids in suspension by volume	: 0.00 %
Frequency	: 50 Hz	Specific gravity, rated / max	: 0.999 / 0.999 kg/dm3
Performance		Viscosity, Rated / Max.	: 1.00 cSt / -
Pump speed, rated	: 2980 rpm	Driver & Power Data	
Impeller Dia, Rated (Approx.)	: 320 mm	Driver sizing specification	: API 610 / ISO 13709
Impeller diameter, maximum	: 329 mm	Margin over specification	: 0.00 %
Impeller diameter, minimum	: 255 mm	Power, rated	: 147 kW
Efficiency at duty point	: 70.11 %	-	: -
NPSH required / margin required	: 5.11 m / 0.50 m	-	: -
MCSF	: 82.21 m3/h	Driver Rating	: 180KW
Cq/Ch/Ce: [-]	: 1.00 / 1.00 / 1.00	Pressure Data	
Water eq. duties (Qw/Hw/Ew)	: 270.0 m3/h / 140.0 m / 70.11 %	Maximum working pressure	: 14.31 bar.g
Suction / Delivery nozzle size	: 150 mm / 125 mm	Maximum allowable working pressure	: 16.00 bar.g
Noise level	: 85 dB	Maximum allowable suction pressure	: 1.69 bar.g
Vibration level (RMS)	: 5.1 mm/s	Hydrostatic test pressure	: 22.06 bar.g
Test standard	: ISO 9906 / ANSI-HI 14.6 Gr 2B	Construction	
Starting condition	: Closed Delivery Valve	Basic construction	: End Suction Pump-OH1
		Impeller type	: Enclosed
		Selection status	: Near Miss
		Rec. Pipe Size (Suc / Del)	: 250 mm / 200 mm
Material			
MOC Code	: 01MOC		
Material (Casing / Impeller / Shaft)	: CI IS210:FG260 (012) / CI IS210:FG260 (012) / CS IS1570:40C8 HOT RLD (053)		
-	: -		



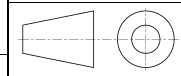
Enriching Lives



PART NO.	PART DESCRIPTION	MAT. CODE	MOC DESCRIPTION
10500	PUMP CASING	012	CI IS210:FG260
15100*	ENCLOSED IMPELLER	012	CI IS210:FG260
18001*	PUMP SHAFT	053	CS IS1570:40C8 HOT RLD
19000*	CSG. WEAR RING - SUC. SIDE	012	CI IS210:FG260
19100*	CSG. WEAR RING - DEL. SIDE	012	CI IS210:FG260
19200*	IMP. WEAR RING - SUC. SIDE	012	CI IS210:FG260
19300*	IMP. WEAR RING - DEL. SIDE	012	CI IS210:FG260
22000	CASING COVER	012	CI IS210:FG260
22700*	LANTERN RING	364	NYLON
22900	SPLIT GLAND	012	CI IS210:FG260
23602	LIQUID DEFLECTOR	012	CI IS 210-FG 260
24000	BEARING HOUSING	012	CI IS 210-FG 260
24800	LANTERN BRACKET	012	CI IS 210-FG 260
25100	SUPPORT FOOT	042	MS IS:5986-Fe410WA (OLD-IS:1079)
26300*	ANGULAR CONTACT BEARING	000	STEEL
26400*	CYLINDRICAL ROLLER BEARING	000	STEEL
27000	BEARING COVER DE	012	CI IS 210-FG 260
31100*	SHAFT SLEEVE	556	ST ST ASTM A276-410(300BHN)-ANLD
32000*	KEY FOR IMPELLER	053	CS IS1570:40C8 HOT RLD
32100	KEY FOR COUPLING	053	CS IS1570:40C8 HOT RLD
33000	IMPELLER NUT	253	ST ST ASTM A276-410 ANLD
33600*	BEARING LOCK NUT	052	CS IS1570:20C8 HOT RLD
35000*	STUFFING BOX BUSH	012	CI IS 210-FG 260
41500*	LOCK WASHER -BRG.LOCK NUT	050	CS IS1570:10C4 HOT RLD
43000*	GLAND PACKING	810	PTFE BRAIDED WITH GRAPHITE (PTFE-NONAS)
44300	CONSTANT LEVEL OILER	998	AL WITH PLASTIC CONTAINER
44400	OIL FEEDING PLUG	374	PLASTIC
47900*	HELICOIL SCREW LOCK INSERT	250	ST ST ASTM A276-304 ANLD
48500*	INTERNAL CIRCLIP	054	SPRING ST IS:4072-80C6
50000*	OIL SEAL - DE	574	NITRILE RUB WITH STEEL SPRING
51100*	GASKET : CASING COVER	702	NON ASBESTOS FERROLITE NAM37 OR EQ
51400*	GASKET : BEARING COVER	702	NON ASBESTOS FERROLITE NAM37 OR EQ
51500*	GASKET : SH. SLEEVE & IMP.	702	NON ASBESTOS FERROLITE NAM37 OR EQ
52301*	O-RING:BRG.HSG. & LANT.BKT.	372	NITRILE RUB ASTMMD2000CH-70SHORE/7MPa
68200*	GASKET : IMP. & IMP. NUT	702	NON ASBESTOS FERROLITE NAM37 OR EQ



PUMP	CPHM 125/32_2900RPM	MOC	01
ENQUIRY NO./DATE	/	QUANTITY	1
PO. NO./DATE	-	TAG NO.	001
QUOTATION NO.	0	DATE.	-
O/A. NO.	-	MISI.	-
CUSTOMER	-		
END USER	-		
PROJECT	Default		
CONSULTANT	-		
SERVICE	-		



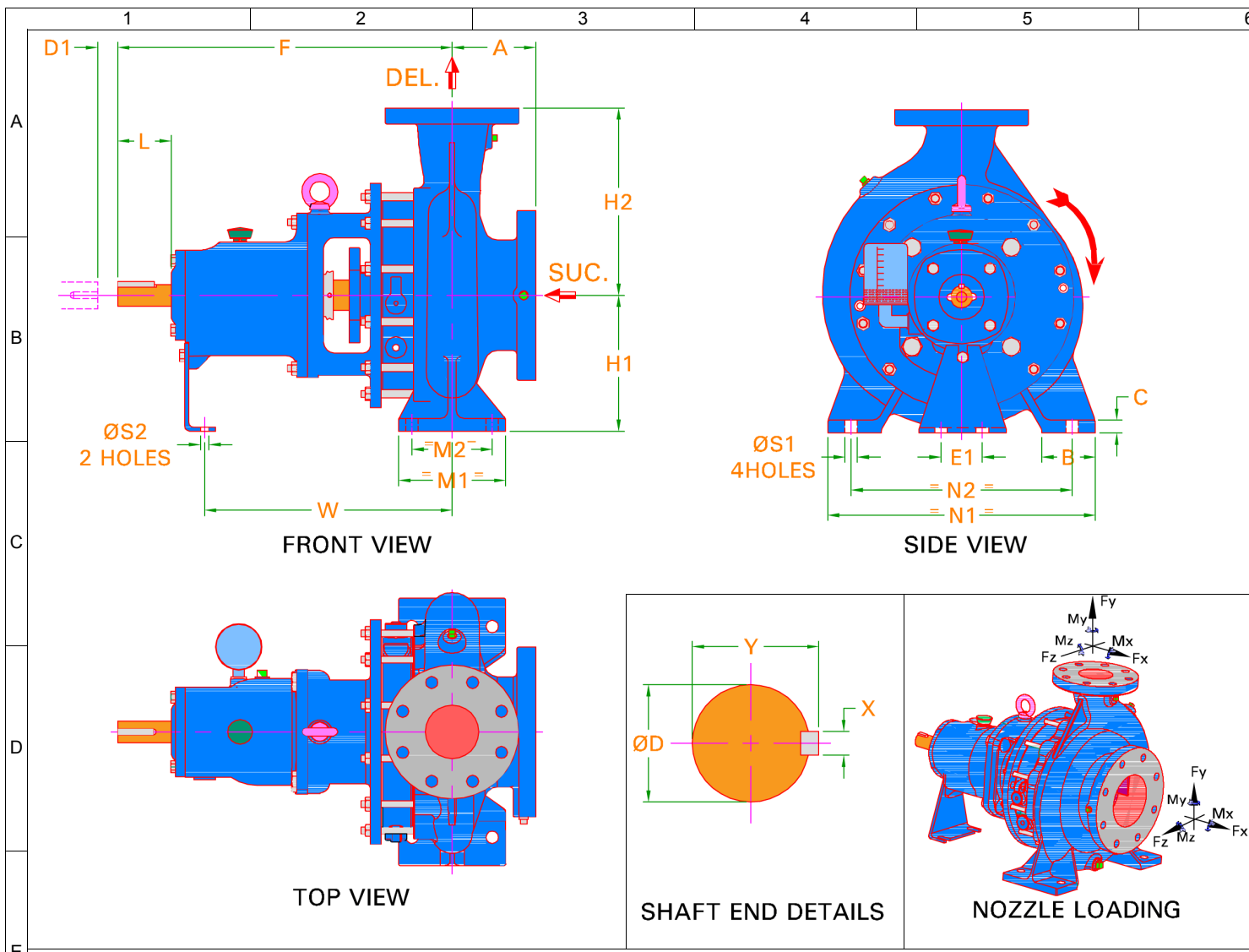
Kirloskar Brothers Limited
KIRLOSARVADI - 416308, DIST.- SANGLI (INDIA)

CROSS SECTIONAL DRAWING

- NOTES:
- * * * INDICATES RECOMMENDED SPARES.
 - FASTENERS IN LIQUID CONTACT ARE IN CS

IMPORTANT: THIS DRAWING IS THE PROPERTY OF Kirloskar Brothers Limited. AND MUST NOT BE USED OR COPIED WITHOUT THEIR PRIOR AUTHORITY IN WRITING.

DRAWING NO. **TC78-1**



Enriching Lives

PUMP DUTIES			
CAPACITY	270.0 m3/h	EFFICIENCY	70.11 %
TOTAL HEAD	140.0 m	PUMP INPUT	147 kW
DENSITY	0.999 kg/dm3	NPSHR	5.11 m

FLANGE DRILLING STANDARD AND DETAILS					
SUCTION	BS EN1092 PN16 FF	DELIVERY	BS EN1092 PN16		
	NOM. SIZE	RF DIA.	P.C.D.	NO OF HOLES	HOLE DIA.
SUCTION	150 mm	N.A.	240 mm	8	22.0
DELIVERY	125 mm	N.A.	210 mm	8	18.0

ALLOWABLE NOZZLE LOADING					
	FORCES			MOMENTS	
	Fx	Fy	Fz	Mx	My
SUCTION	320.0 kgf	400.0 kgf	260.0 kgf	1,520 N.m	1,030 N.m
DELIVERY	320.0 kgf	400.0 kgf	260.0 kgf	1,520 N.m	1,030 N.m

TAPPING DETAILS	
DESCRIPTION	SIZE / TYPE
Suction Gauge	1/2"BSP
Delivery Gauge	1/2"BSP
Casing Drain	1/2"BSP
Casing Vent	NA
Bearing Cooling in / out	1/2" NPT
Pad Cooling in / out	NA
Priming in	NA
Base Drain	1 BSP

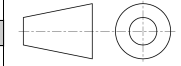
DIRECTION OF ROTATION FROM DE: CLOCKWISE

PUMP	CPHM 125/32_2900R	PUMP WT.	179.0
REC. DRIVER RATING	180KW	GD*2	2.00 kg
ENQ. NO./DATE	/	QUANTITY	1
PO. NO./DATE	-	TAG NO.	001
QUOTATION NO.	0	DATE	-
O/A NO.	-	MISI	-
CUSTOMER	-		
END USER	-		
PROJECT	Default		
CONSULTANT	-		
SERVICE	-		

NOTES:
 • ALL DIMENSIONS ARE IN mm
 • DIM 'D1' INDICATES THE DISTANCE REQUIRED TO REMOVE BACK PULL OUT ASSEMBLY.

IMPORTANT: THIS DRAWING IS THE PROPERTY OF Kirloskar Brothers Limited AND MUST NOT BE USED OR COPIED WITHOUT THEIR AUTHORITY IN WRITING.

A	F	H1	H2	B	C	M1	M2	N1	N2	S1	E1	S2	W	-	D
140	643	280	355	100	18.00	200	150	500	400	23.00	140	19.00	432	-	60.00
X	Y	L	D1	-	-	-	-	-	-	-	-	-	-	-	-
18.00	64.40	110	180	-	-	-	-	-	-	-	-	-	-	-	-
-	-	-	-	-	-	-	-	-	-	-	-	-	-	-	-
-	-	-	-	-	-	-	-	-	-	-	-	-	-	-	-



Kirloskar Brothers Limited
 KIRLOSKARVADI - 416308, DIST. - SANGLI (INDIA)

PUMP OUTLINE DRAWING

DRAWING NO. TL78-1