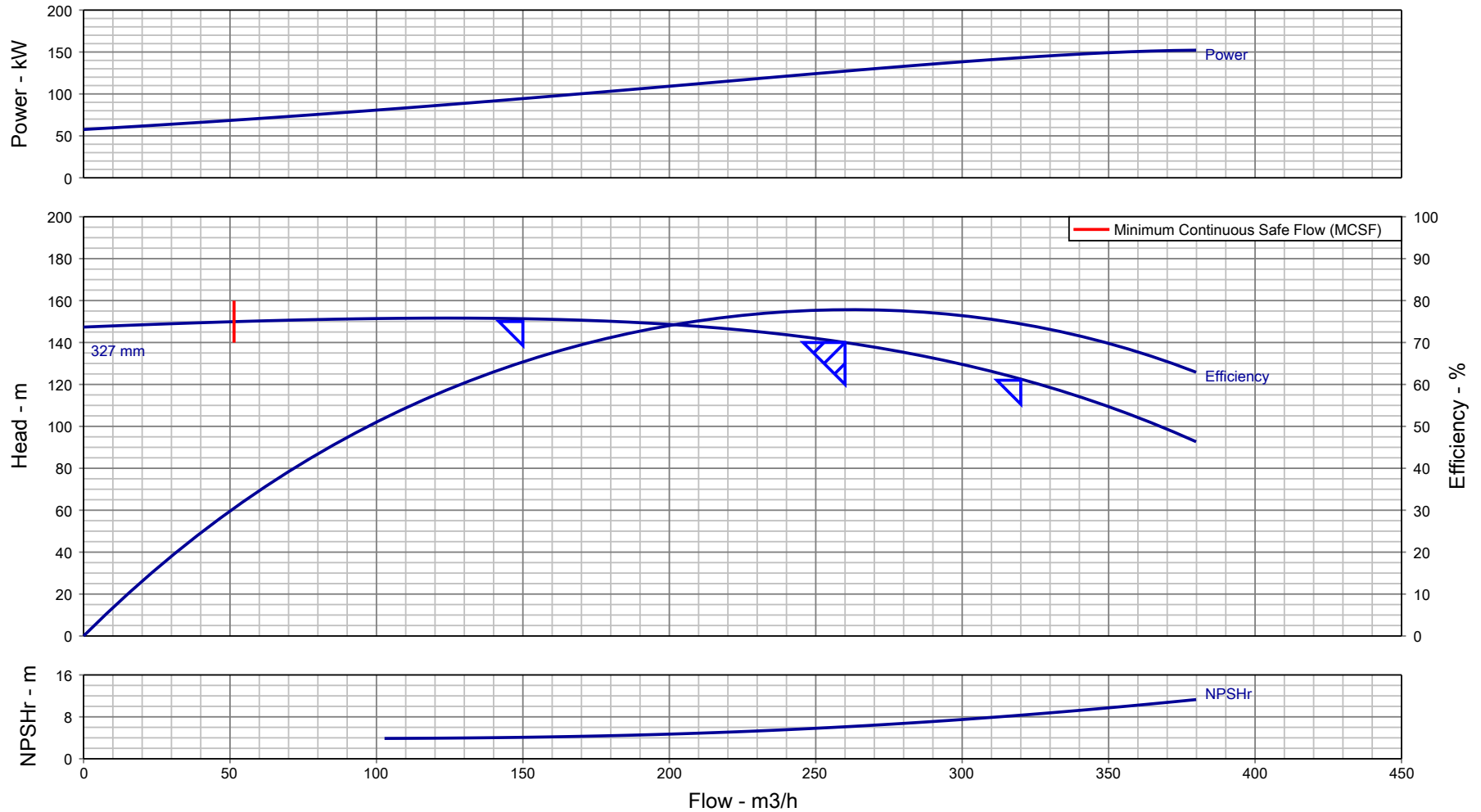


LD6B Series**Diesel Engines for Fire Pump (Power: 175 kw/2900rpm)**

- **Advanced Technology & Design** Origin from Germany FEV, Yuchai companies, with more compact structures, engine overhaul can met more than 12000 hours;
- **Common Parts Supply System** Parts will share Yuchai engines parts supply system, cheap and easy to get in current market;
- **Environmentally Operation** Fuel consumption will lower 205g/kw.h, with lesser vibration, noise; best choice for small machines

Model	6B240L
Type	Vertical, in-line, water-cooled, 4-stroke
Intake Way	Turbocharged& Inter-cooler
No Cylinders, Bore x Stroke (mm)	6-108×125
Displacement (L)	6.9
Compression ratio	17.5:1
Rated power/speed (kW/r/min)	175/2900
Horse power	240
Min fuel consumption g/(kW·h)	≤205
Oil capability(L)	14~17
Oil Consumption g/(kW·h)	≤1.0
Starting Type	Electric start
Noise limit dB (A)	≤102
Type of Governor	Mechanical
Governing Rate	≤5%
Flywheel house/flywheel	2#11.5
Applicable altitude(m)	≤2500
Dimension(mm)	2000×1000×1500
Net weight (kg)	800

Pump Performance Curve



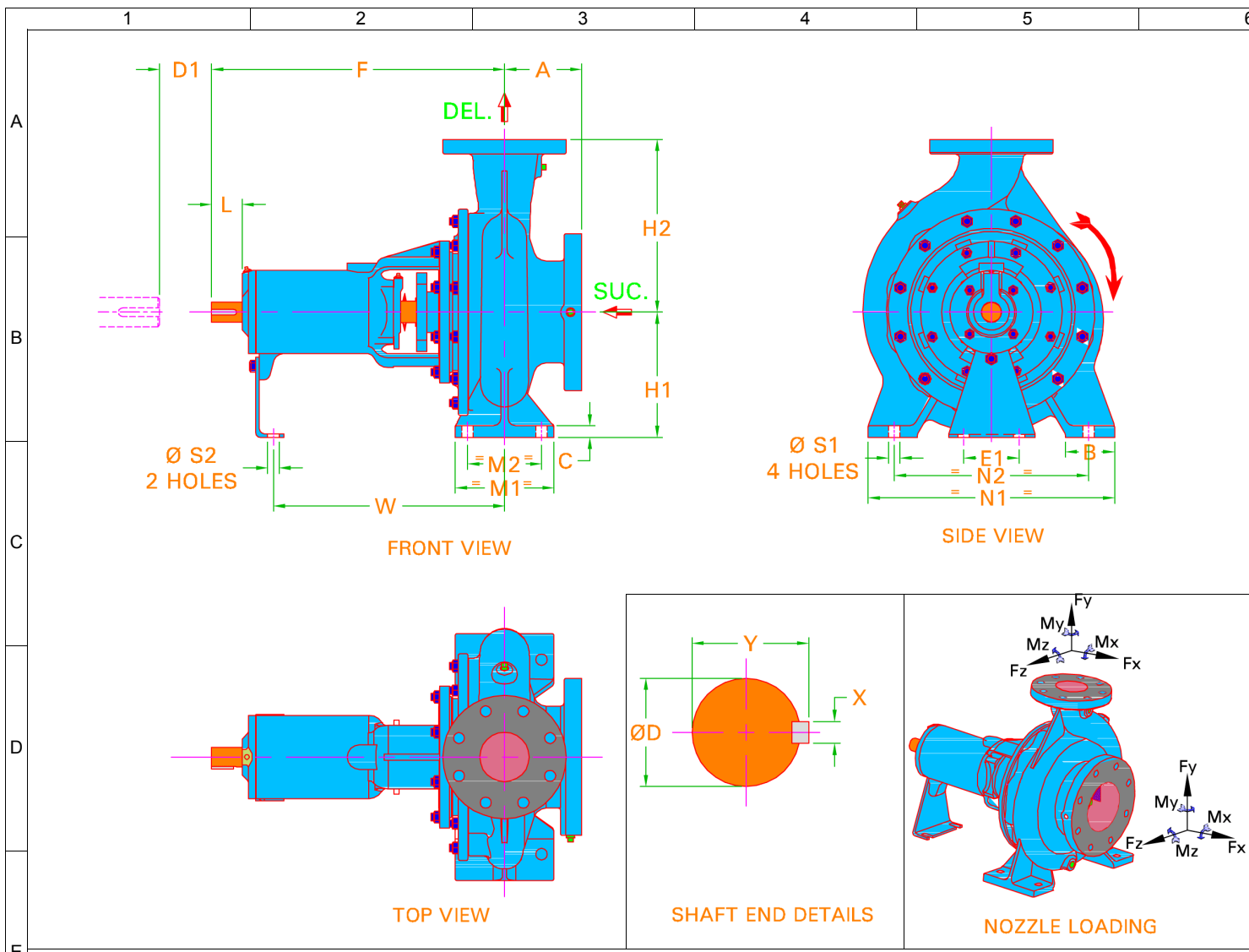
Customer :	Pump Size/ Stages : CPHM 100/32/ 1	Flow, rated : 260.0 m ³ /h
Customer enquiry :	Speed, rated : 2980 rpm	Differential Head : 140.0 m
Project : Default	Based on curve number : HD13727KA0 Rev 0	Fluid density rated : 0.998 kg/dm ³
Quote number : 312657	Viscosity : 1.00 cSt	Efficiency : 77.83 %
Item number : 001	Cq/Ch/Ce/Cn [HI2010] : 1.00 / 1.00 / 1.00 / 1.00	Power, rated : 127 kW
Quantity : 1	Minimum recommended driver rating : 160 kW / 215 hp	NPSH required : 6.11 m
Date last saved : 08 Dec 2020 11:39 AM	Performance testing standard : ISO 9906 / ANSI-HI 14.6 Gr 2B	Liquid Type/ Application : Water

Notes: 1. Performance at shut off condition is approximate. 2. Rated impeller diameter is approximate. 3. Only duty point is guaranteed as per testing standard.



Enriching Lives

Pump Performance Datasheet			
General			
Customer	:	Quote number	: 312657
Customer Enquiry No.	:	Pump model	: CPHM 100/32
Project	: Default	Stages	: 1
End user	: -	Based on curve number	: HD13727KA0 Rev 0
Tag number	: 001	Date last updated	: 08 Dec 2020 11:39 AM
Service	: -	Quantity of pumps	: 1
Operating Conditions		Liquid	
Flow, rated	: 260.0 m3/h	Liquid handled	: Water
Suction pressure, rated / max	: 0.00 bar.g / 0.00 bar.g	Additional liquid description	: Fresh Water
Discharge pressure, rated	: 13.71 bar.g	Temperature, max	: 20.00 deg C
Head, rated (requested)	: 140.0 m	Solids diameter, max	: 0.00 mm
NPSH available, rated	: Value not specified	Solids in suspension by volume	: 0.00 %
Frequency	: 50 Hz	Specific gravity, rated / max	: 0.998 / 0.998 kg/dm3
Performance		Viscosity, Rated / Max.	: 1.00 cSt / -
Pump speed, rated	: 2980 rpm	Driver & Power Data	
Impeller Dia, Rated (Approx.)	: 327 mm	Driver sizing specification	: Maximum Power
Impeller diameter, maximum	: 329 mm	Margin over specification	: 0.00 %
Impeller diameter, minimum	: 255 mm	Power, rated	: 127 kW
Efficiency at duty point	: 77.83 %	-	: -
NPSH required / margin required	: 6.11 m / 0.50 m	-	: -
MCSF	: 51.38 m3/h	Driver Rating	: 160KW
Cq/Ch/Ce: [-]	: 1.00 / 1.00 / 1.00	Pressure Data	
Water eq. duties (Qw/Hw/Ew)	: 260.0 m3/h / 140.0 m / 77.83 %	Maximum working pressure	: 14.85 bar.g
Suction / Delivery nozzle size	: 125 mm / 100 mm	Maximum allowable working pressure	: 16.00 bar.g
Noise level	: 85 dB	Maximum allowable suction pressure	: 1.16 bar.g
Vibration level (RMS)	: 5.1 mm/s	Hydrostatic test pressure	: 20.59 bar.g
Test standard	: ISO 9906 / ANSI-HI 14.6 Gr 2B	Construction	
Starting condition	: Closed Delivery Valve	Basic construction	: End Suction Pump-OH1
Material		Impeller type	: Enclosed
MOC Code	: 01MOC	Selection status	: Near Miss
Material (Casing / Impeller / Shaft)	: CI IS210:FG260 (012) / CI IS210:FG260 (012) / CS IS1570:40C8 HOT RLD (053)	Rec. Pipe Size (Suc / Del)	: 250 mm / 200 mm
-	: -		



Enriching Lives

PUMP DUTIES			
CAPACITY	260.0 m3/h	EFFICIENCY	77.83 %
TOTAL HEAD	140.0 m	PUMP INPUT	127 kW
DENSITY	0.998 kg/dm3	NPSHR	6.11 m

FLANGE DRILLING STANDARD AND DETAILS					
SUCTION	BS EN1092 PN16 FF		DELIVERY	BS EN1092 PN16	
	NOM. SIZE	RF DIA.	P.C.D.	NO OF HOLES	HOLE DIA.
SUCTION	125 mm	N.A.	210 mm	8	18.0
DELIVERY	100 mm	N.A.	180 mm	8	18.0

ALLOWABLE NOZZLE LOADING					
	FORCES			MOMENTS	
	Fx	Fy	Fz	Mx	My
SUCTION	255.0 kgf	325.0 kgf	210.0 kgf	1,324 N.m	883 N.m
DELIVERY	255.0 kgf	325.0 kgf	210.0 kgf	1,324 N.m	883 N.m

TAPPING DETAILS	
DESCRIPTION	SIZE / TYPE
Suction Gauge	1/2"BSP
Delivery Gauge	1/2"BSP
Casing Drain	1/2"BSP
Casing Vent	NA
Bearing Cooling in / out	NA
Pad Cooling in / out	NA
Priming in	NA
Base Drain	1 BSP



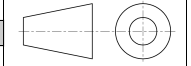
DIRECTION OF ROTATION FROM DE CLOCKWISE

PUMP	CPHM 100/32	PUMP WT.	134.0
REC. DRIVER RATING	160KW	GD*2	0.68 kg
ENQ. NO./DATE	/	RATED SPEED	2980R
PO. NO./DATE	-	QUANTITY	1
QUOTATION NO.	0	TAG NO.	001
O/A NO.	-	DATE	-
CUSTOMER	-	MISI	-
END USER	-		
PROJECT	Default		
CONSULTANT	-		
SERVICE	-		

NOTES:
 • ALL DIMENSIONS ARE IN mm
 • DIM 'D1' INDICATES THE DISTANCE REQUIRED TO REMOVE BACK PULL OUT ASSEMBLY.

IMPORTANT: THIS DRAWING IS THE PROPERTY OF Kirloskar Brothers Limited AND MUST NOT BE USED OR COPIED WITHOUT THEIR AUTHORITY IN WRITING.

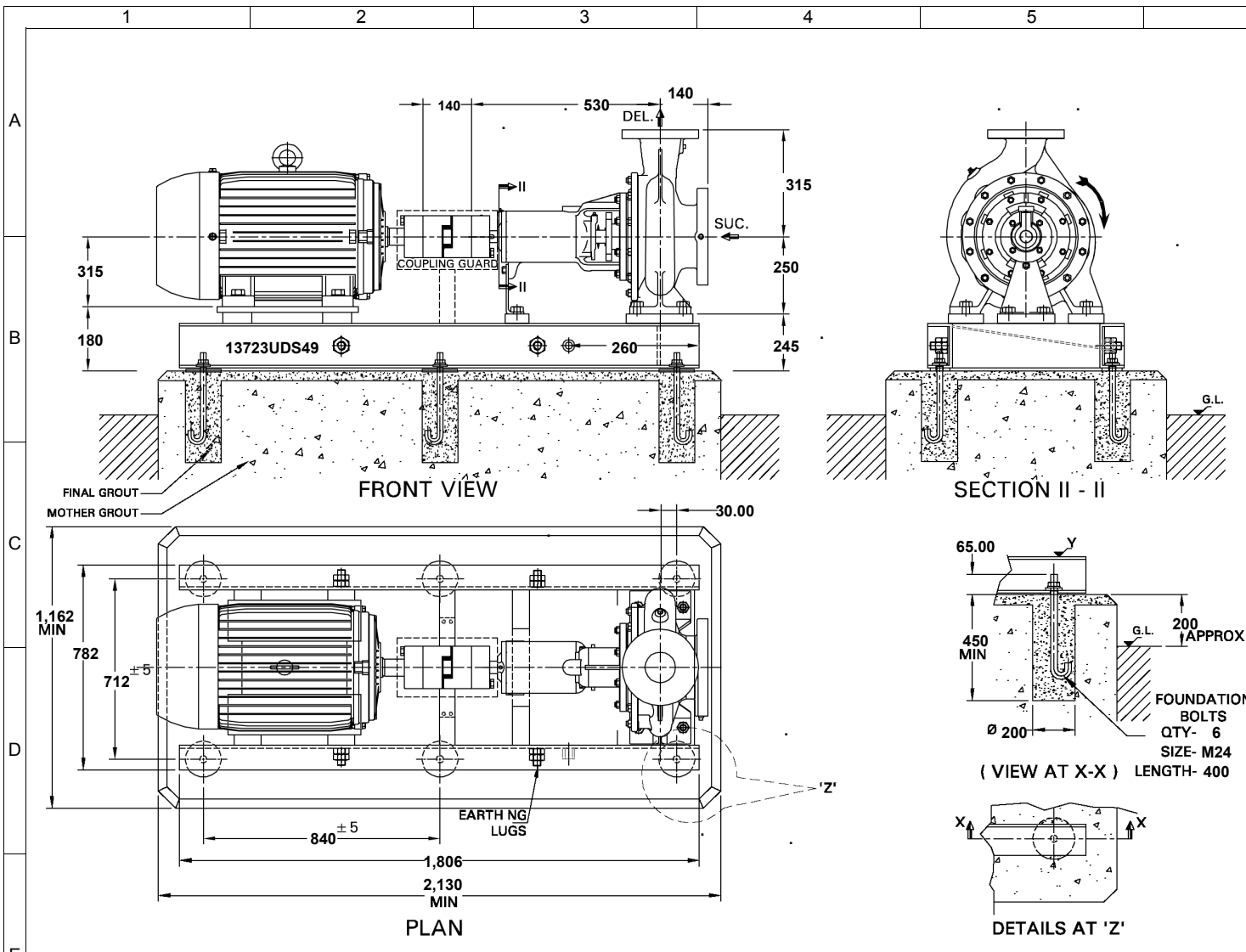
A	F	H1	H2	B	C	M1	M2	N1	N2	S1	E1	S2	W	-	D
140	530	250	315	80.00	16.00	160	120	400	315	18.00	110	15.00	370	-	42.00
X	Y	L	D1	-	-	-	-	-	-	-	-	-	-	-	-
12.00	45.00	110	140	-	-	-	-	-	-	-	-	-	-	-	-
-	-	-	-	-	-	-	-	-	-	-	-	-	-	-	-
-	-	-	-	-	-	-	-	-	-	-	-	-	-	-	-



Kirloskar Brothers Limited
 KIRLOSKARVADI - 416308, DIST. - SANGLI (INDIA)

PUMP OUTLINE DRAWING

DRAWING NO. TL78-1-



Enriching Lives

PUMP DUTIES			
CAPACITY	260.0 m ³ /h	EFFICIENCY	77.83 %
TOTAL HEAD	140.0 m	PUMP INPUT	127 kW
DENSITY	0.998 kg/dm ³	NPSHR	6.11 m

FLANGE DRILLING STANDARD AND DETAILS					
SUCTION	BS EN1092 PN16 FF		DELIVERY	BS EN1092 PN16	
	NOM. SIZE	RF DIA.	P.C.D.	NO OF HOLES	HOLE DIA.
SUCTION	125 mm	N.A.	210 mm	8	18.0
DELIVERY	100 mm	N.A.	180 mm	8	18.0

ALLOWABLE NOZZLE LOADING FORCES			
	SUCTION	DELIVERY	
Fx	255.0 kgf	255.0 kgf	255.0 kgf
Fy	325.0 kgf	325.0 kgf	325.0 kgf
Fz	210.0 kgf	210.0 kgf	210.0 kgf
MOMENTS			
	SUCTION	DELIVERY	
Mx	1,324 N.m	1,324 N.m	1,324 N.m
My	883 N.m	883 N.m	883 N.m
Mz	686 N.m	686 N.m	686 N.m

SHAFT END DETAILS			
	D	X	Y
PUMP	42.00	12.00	45.00
MOTOR	65.00	18.00	69.00

TAPPING DETAILS			
DESCRIPTION	SIZE/TYPE	DESCRIPTION	SIZE/TYPE
SUCTION GAUGE	1/2"BSP	BRG. COOLING IN/OUT	NA
DELIVERY GAUGE	1/2"BSP	PAD COOLING IN/OUT	NA
CASING DRAIN	1/2"BSP	PRIMING INLET	NA
CASING VENT	NA	BASE DRAIN	1 BSP

ADDITIONAL DATA			
STATIC LOAD	1,340.8 kg	DYNAMIC LOAD	1,675.9 kg
GD ² OF PUMP	0.68 kg.m ²		
BASE TYPE	STANDARD	BASE MATERIAL	MS
COUPLING TYPE	SPACER CUSHION	GUARD MATERIAL	MS
COUPLING SIZE	SWQ276	F BOLT MATERIAL	MS
DIRECTION OF ROTATION FROM DE			CLOCKWISE

PUMP	CPHM 100/32	PUMP WT.	134.0
DRIVER MAKE	KBL	DRIVER WT.	1,010.0
DRIVER RATING	160KW	BASE WT.	169.0
DRIVER SIZE	315L	COUPLING WT.	27.75
RATED SPEED	2980RPM	PUMPSET WT.	1,340.8
ENQ. NO./DATE	/	QUANTITY	1
PO. NO./DATE	-	TAG NO.	001
QUOTATION NO.	0	DATE	-
O/A NO.	-	MISI	-
CUSTOMER	-		
END USER	-		
PROJECT	Default		
CONSULTANT	-		
SERVICE	-		

Kirloskar Brothers Limited
KIRLOSKARVADI - 416308, DIST. - SANGLI (INDIA)

GENERAL ARRANGEMENT DRAWING

- NOTES:**
- ALL DIMENSIONS ARE IN mm; DIMENSIONS WITHOUT TOLERANCE FOR WELDED PARTS ARE AS PER ISO13920-D.
 - GROUTING TO BE DONE UP TO LEVEL Y TO AVOID VIBRATIONS.
 - BEARINGS ARE GREASE LUBRICATED

IMPORTANT: THIS DRAWING IS THE PROPERTY OF Kirloskar Brothers Limited AND MUST NOT BE USED OR COPIED WITHOUT THEIR AUTHORITY IN WRITING.