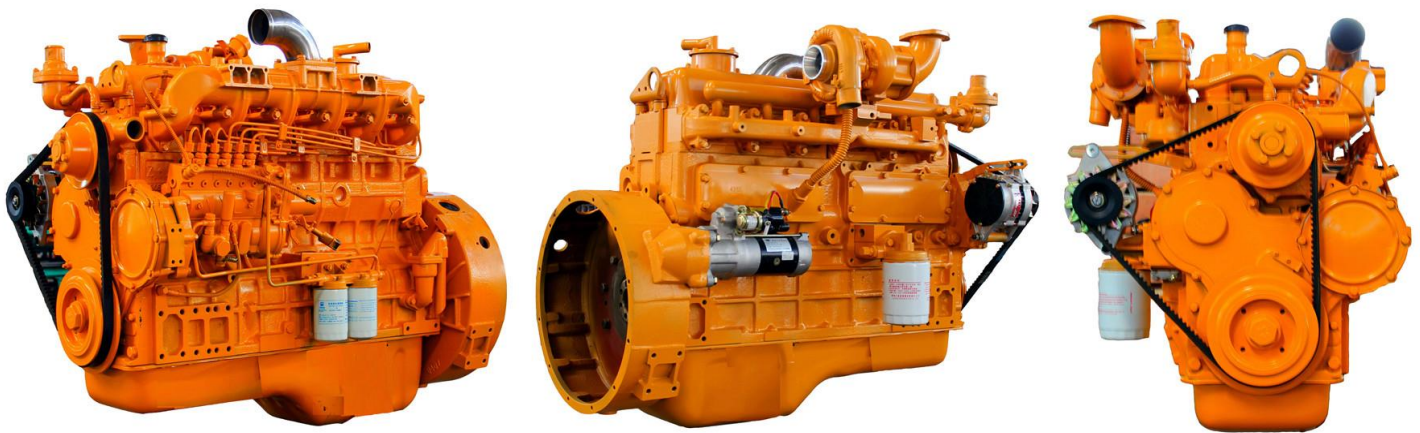


LD6AB**Diesel Engines for Generator Set**

- **Advanced Technology & Design** Origin from Germany FEV, Yuchai companies, with more compact structures, engine overhaul can met more than 12000 hours;
- **Common Parts Supply System** Parts will share Yuchai engines parts supply system, cheap and easy to get in current market;
- **Environmentally Operation** Fuel consumption will lower 205g/kw.h, with lesser vibration, noise; best choice for small machines
- **Application** Diesel genset power range from 125kw to 135kw.

Model	6AB210L
Type	Vertical, in-line, water-cooled, 4-stroke
Intake Way	Turbocharged & Inter-cooled
No Cylinders, Bore x Stroke (mm)	6×108×132
Displacement (L)	7.3
Compression ratio	17.5:1
Rated power/speed (kw/r/min)	139/1500
Standby power/speed (kW/r/min)	153/1500
Min fuel consumption g/(kw·h)	≤195
Oil capability(L)	14~17
Oil Consumption g/(kW·h)	≤1.0
Starting Type	Electric start 24V-6kW
Noise limit dB (A)	≤102
Type of Governor	Mechanical
Governing Rate	≤5%
Flywheel house/flywheel	2#11.5
Applicable altitude(m)	≤2500
Dimension(mm)	1350x790x1110
Net weight(kg)	680

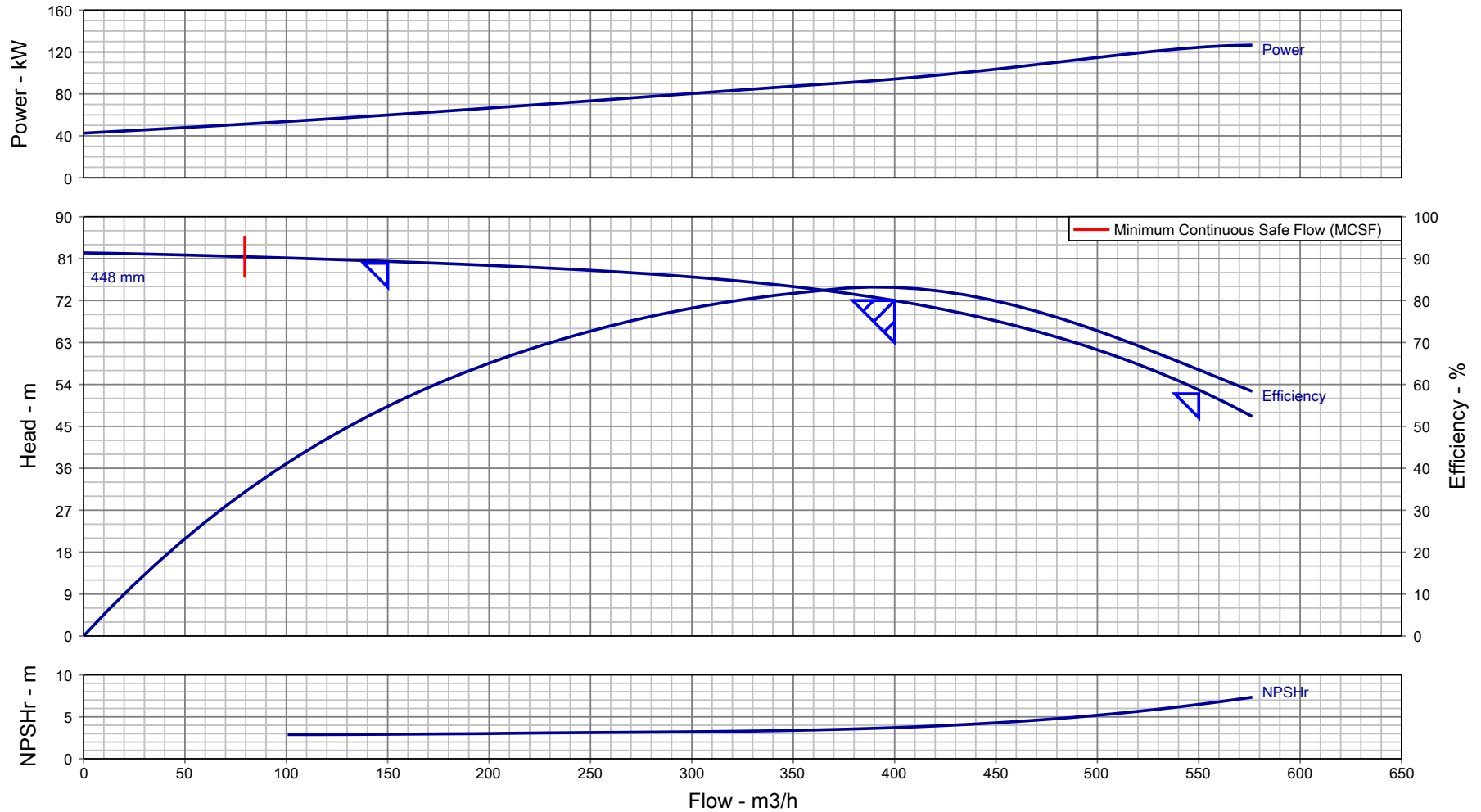
Liuzhou Long Dao Industrial & Trading Co.,Ltd

Mobile: +86 130 8772 3334 Tel:/Fax: +86 (0)772-2875155

Web: <http://longdaodieselengine.com>

Address:No.3-9-7, Sunshine 100, Guizhong Avenue South No.2, Liuzhou, Guangxi, China.

Pump Performance Curve



Customer :	Pump Size/ Stages : UP150/45/ 1	Flow, rated : 400.0 m ³ /h
Customer enquiry :	Speed, rated : 1485 rpm	Differential Head : 72.00 m
Project : Default	Based on curve number : HA17400009 Rev 2	Fluid density rated : 0.998 kg/dm ³
Quote number : 312657	Viscosity : 1.00 cSt	Efficiency : 83.15 %
Item number : 001	Cq/Ch/Ce/Cn [HI2010] : 1.00 / 1.00 / 1.00 / 1.00	Power, rated : 94.19 kW
Quantity : 1	Minimum recommended driver rating : 132 kW / 177 hp	NPSH required : 3.71 m
Date last saved : 08 Dec 2020 12:15 PM	Performance testing standard : ISO 9906 / ANSI-HI 14.6 Gr 2B	Liquid Type/ Application : Water

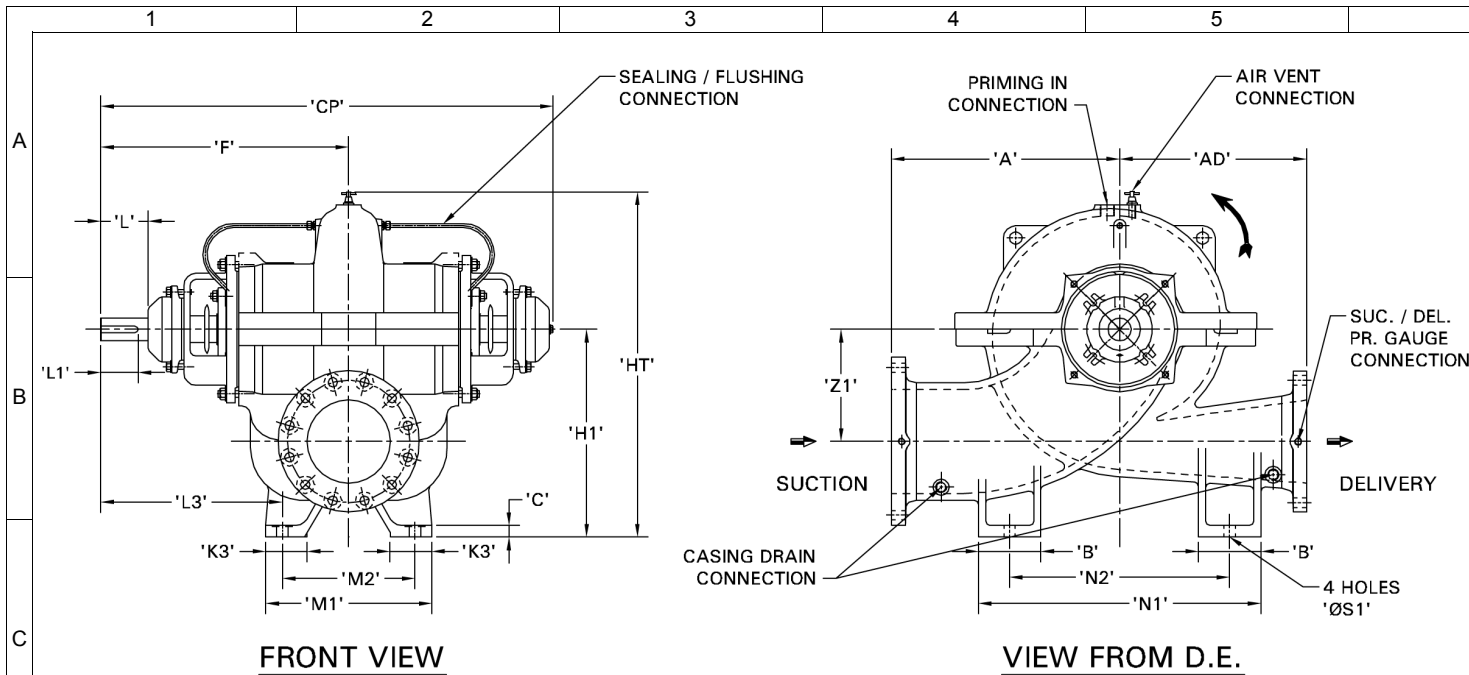

Notes: 1. Performance at shut off condition is approximate. 2. Rated impeller diameter is approximate. 3. Only duty point is guaranteed as per testing standard.



Enriching Lives

Pump Performance Datasheet

General			
Customer	:	Quote number	: 312657
Customer Enquiry No.	:	Pump model	: UP150/45
Project	: Default	Stages	: 1
End user	: -	Based on curve number	: HA17400009 Rev 2
Tag number	: 001	Date last updated	: 08 Dec 2020 12:15 PM
Service	: -	Quantity of pumps	: 1
Operating Conditions		Liquid	
Flow, rated	: 400.0 m3/h	Liquid handled	: Water
Suction pressure, rated / max	: 0.00 bar.g / 0.00 bar.g	Additional liquid description	: Fresh Water
Discharge pressure, rated	: 7.05 bar.g	Temperature, max	: 20.00 deg C
Head, rated (requested)	: 72.00 m	Solids diameter, max	: 0.00 mm
NPSH available, rated	: Value not specified	Solids in suspension by volume	: 0.00 %
Frequency	: 50 Hz	Specific gravity, rated / max	: 0.998 / 0.998 kg/dm3
		Viscosity, Rated / Max.	: 1.00 cSt / -
Performance		Driver & Power Data	
Pump speed, rated	: 1485 rpm	Driver sizing specification	: Maximum Power
Impeller Dia, Rated (Approx.)	: 448 mm	Margin over specification	: 0.00 %
Impeller diameter, maximum	: 450 mm	Power, rated	: 94.19 kW
Impeller diameter, minimum	: 360 mm	-	: 0.00 kW
Efficiency at duty point	: 83.15 %	-	: -
NPSH required / margin required	: 3.71 m / 0.50 m	Driver Rating	: 132KW
MCSF	: 79.54 m3/h		
Cq/Ch/Ce: [-]	: 1.00 / 1.00 / 1.00		
Water eq. duties (Qw/Hw/Ew)	: 400.0 m3/h / 72.00 m / 83.15 %		
Suction / Delivery nozzle size	: 200 mm / 150 mm		
Noise level	: 90 dB		
Vibration level (RMS)	: 5.1 mm/s		
Test standard	: ISO 9906 / ANSI-HI 14.6 Gr 2B		
Starting condition	: Closed Delivery Valve		
Material		Pressure Data	
MOC Code	: 01MOC	Maximum working pressure	: 8.05 bar.g
Material (Casing / Impeller / Shaft)	: CI IS210:FG260 (012) / CI IS210:FG260 (012) / CS IS1570:40C8 HOT RLD (053)	Maximum allowable working pressure	: 9.81 bar.g
-	: -	Maximum allowable suction pressure	: 1.96 bar.g
		Hydrostatic test pressure	: 14.71 bar.g
		Construction	
		Basic construction	: Horizontal Split Case Pump-BB1
		Impeller type	: Enclosed
		Selection status	: Acceptable
		Rec. Pipe Size (Suc / Del)	: 300 mm / 250 mm

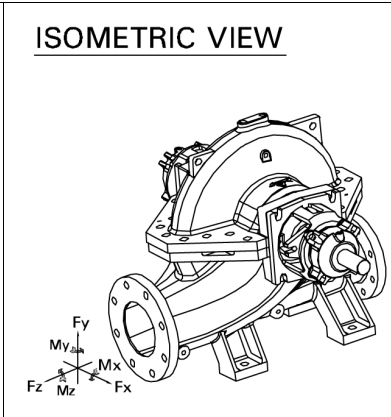
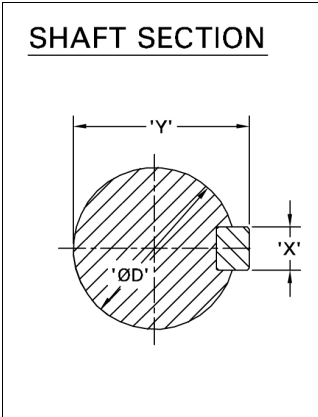
Enriching Lives

PUMP DUTIES			
CAPACITY	400.0 m3/h	EFFICIENCY	83.15 %
TOTAL HEAD	72.00 m	PUMP INPUT	94.19 kW
DENSITY	0.998 kg/dm3	NPSHR	3.71 m

FLANGE DRILLING STANDARD AND DETAILS					
SUCTION	BSEN 1092 PN16 FF		DELIVERY	BSEN 1092 PN16	
	NOM. SIZE	RF DIA.	P.C.D.	NO OF HOLES	HOLE DIA.
SUCTION	200 mm	N.A.	295 mm	12	22.0
DELIVERY	150 mm	N.A.	240 mm	8	22.0

ALLOWABLE NOZZLE LOADING						
	FORCES			MOMENTS		
	Fx	Fy	Fz	Mx	My	Mz
SUCTION	178.1 kgf	445.2 kgf	356.1 kgf	2,668 N.m	1,334 N.m	1,334 N.m
DELIVERY	133.0 kgf	334.1 kgf	267.1 kgf	2,001 N.m	1,001 N.m	1,001 N.m

TAPPING DETAILS		SIZE / TYPE
DESCRIPTION		
Suction Gauge		3/8"BSP
Delivery Gauge		3/8"BSP
Casing Drain		1/2"BSP
Casing Vent		3/8"BSP
Bearing Cooling in / out		-
Pad Cooling in / out		-
Priming in		1/2"BSP
Base Drain		1 BSP



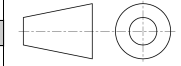
DIRECTION OF ROTATION FROM DE: COUNTER CLOCKWISE

PUMP	UP150/45	PUMP WT.	308.0
		GD*2	1.87 kg
REC. DRIVER RATING	132KW	RATED SPEED	1485R
ENQ. NO./DATE	/	QUANTITY	1
PO. NO./DATE	-	TAG NO.	001
QUOTATION NO.	0	DATE	-
O/A NO.	-	MISI	-
CUSTOMER	-		
END USER	-		
PROJECT	Default		
CONSULTANT	-		
SERVICE	-		

NOTES:
 • ALL DIMENSIONS ARE IN mm
 ..

IMPORTANT: THIS DRAWING IS THE PROPERTY OF Kirloskar Brothers Limited AND MUST NOT BE USED OR COPIED WITHOUT THEIR AUTHORITY IN WRITING.

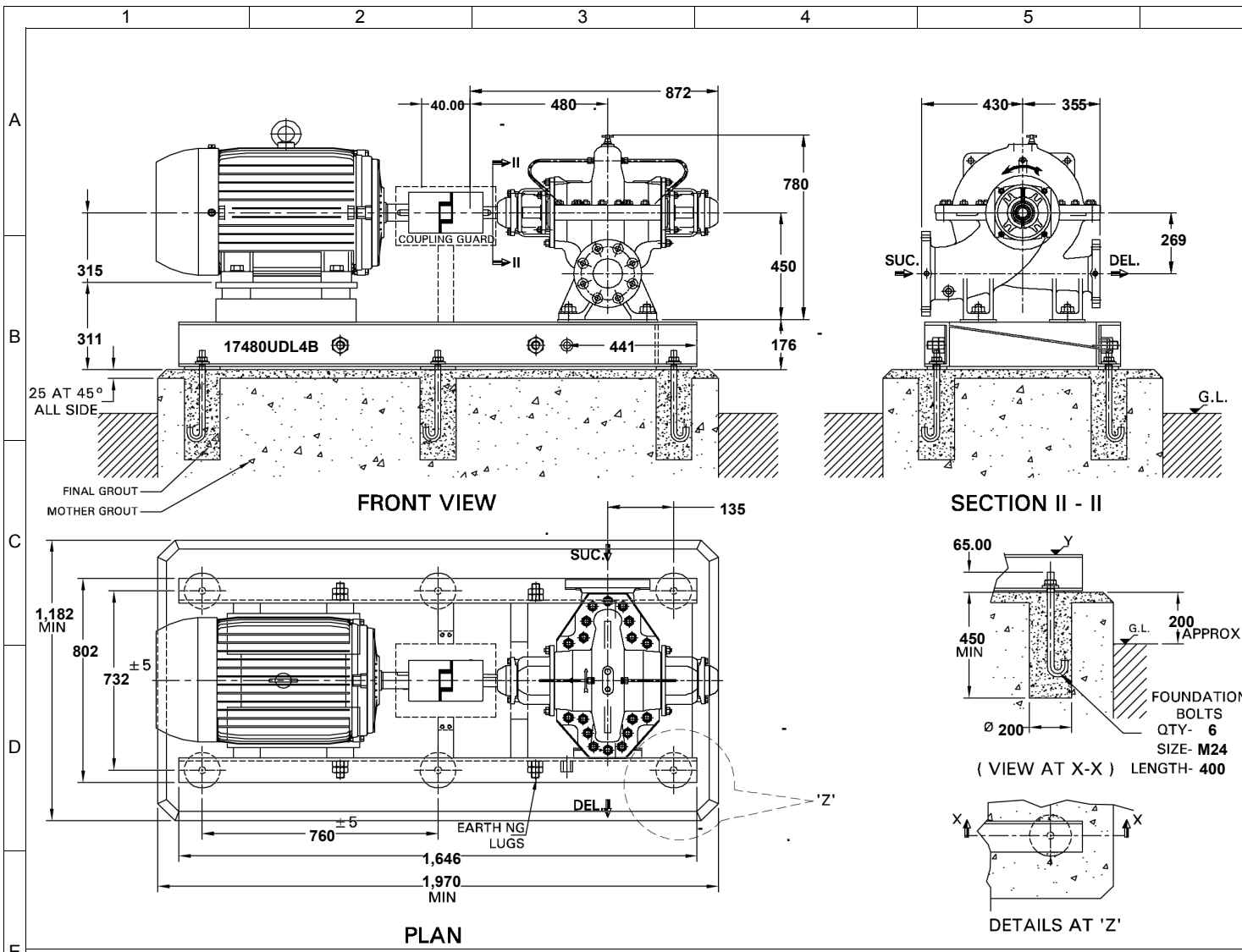
A	AD	B	C	CP	F	-	-	H1	HT	K3	L1	L3	M1	M2	N1
430	355	100	25.00	872	480	-	-	450	780	75.00	87.00	325	370	310	450
N2	-	-	S1	Z1	D	X	Y	L	-	-	-	-	-	-	-
350	-	-	23.00	269	42.00	12.00	45.00	90.00	-	-	-	-	-	-	-
-	-	-	-	-	-	-	-	-	-	-	-	-	-	-	-
-	-	-	-	-	-	-	-	-	-	-	-	-	-	-	-




Kirloskar Brothers Limited
 KIRLOSKARVADI - 416308, DIST. - SANGLI (INDIA)

PUMP OUTLINE DRAWING

DRAWING NO. TL74-1-





Kiloskar
Enriching Lives

PUMP DUTIES			
CAPACITY	400.0 m ³ /h	EFFICIENCY	83.15 %
TOTAL HEAD	72.00 m	PUMP INPUT	94.19 kW
DENSITY	0.998 kg/dm ³	NPSHR	3.71 m

FLANGE DRILLING STANDARD AND DETAILS					
SUCTION	BSEN 1092 PN16 FF	DELIVERY	BSEN 1092 PN16		
	NOM. SIZE	RF DIA.	P.C.D.	NO OF HOLES	HOLE DIA.
SUCTION	200 mm	N.A.	295 mm	12	22.0
DELIVERY	150 mm	N.A.	240 mm	8	22.0

ALLOWABLE NOZZLE LOADING FORCES			
	SUCTION	DELIVERY	
F _x	178.1 kgf	133.1 kgf	
F _y	445.2 kgf	334.1 kgf	
F _z	356.1 kgf	267.1 kgf	

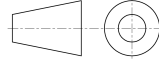
MOMENTS			
	SUCTION	DELIVERY	
M _x	2,668 N.m	2,000 N.m	
M _y	1,334 N.m	1,000 N.m	
M _z	1,334 N.m	1,000 N.m	

SHAFT END DETAILS			
	D	X	Y
PUMP	42.00	12.00	45.00
MOTOR	80.00	22.00	85.00

TAPPING DETAILS			
DESCRIPTION	SIZE/TYPE	DESCRIPTION	SIZE/TYPE
SUCTION GAUGE	3/8"BSP	BRG. COOLING IN/OUT	-
DELIVERY GAUGE	3/8"BSP	PAD COOLING IN/OUT	-
CASING DRAIN	1/2"BSP	PRIMING INLET	1/2"E
CASING VENT	3/8"BSP	BASE DRAIN	1 B"

ADDITIONAL DATA			
STATIC LOAD	1,526.5 kg	DYNAMIC LOAD	1,908.2 kg
GD*2 OF PUMP	1.87 kg.m ²		
BASE TYPE	STANDARD	BASE MATERIAL	MS
COUPLING TYPE	SNAP WRAP	GUARD MATERIAL	MS
COUPLING SIZE	SW295	F BOLT MATERIAL	MS
DIRECTION OF ROTATION FROM DE	COUNTER CLOCKWISE		

PUMP	UP150/45	PUMP WT.	308.0
DRIVER MAKE	KBL	DRIVER WT.	1,000.0
DRIVER RATING	132KW	BASE WT.	199.1
DRIVER SIZE	315M	COUPLING WT.	19.45
RATED SPEED	1485RPM	PUMPSET WT.	1,526.5
ENQ. NO./DATE	/	QUANTITY	1
PO. NO./DATE	-	TAG NO.	001
QUOTATION NO.	0	DATE	-
O/A NO.	-	MISI	-
CUSTOMER	-		
END USER	-		
PROJECT	Default		
CONSULTANT	-		
SERVICE	-		



Kiloskar Brothers Limited
KIRLOSKARVADI - 416308, DIST. - SANGLI (INDIA)

GENERAL ARRANGEMENT DRAWING

DRAWING NO.	TF74-1-
-------------	---------

- NOTES:**
- ALL DIMENSIONS ARE IN mm; DIMENSIONS WITHOUT TOLERANCE FOR WELDED PARTS ARE AS PER ISO13920-D.
 - GROUTING TO BE DONE UP TO LEVEL Y TO AVOID VIBRATIONS.
 - CIVIL ENGINEERING DETAILS '*' SHOWN ARE TENTATIVE AND TO BE DESIGNED AND FINALIZED AT CUSTOMER END.
 - BEARINGS ARE GREASE LUBRICATED

IMPORTANT: THIS DRAWING IS THE PROPERTY OF Kiloskar Brothers Limited AND MUST NOT BE USED OR COPIED WITHOUT THEIR AUTHORITY IN WRITING.