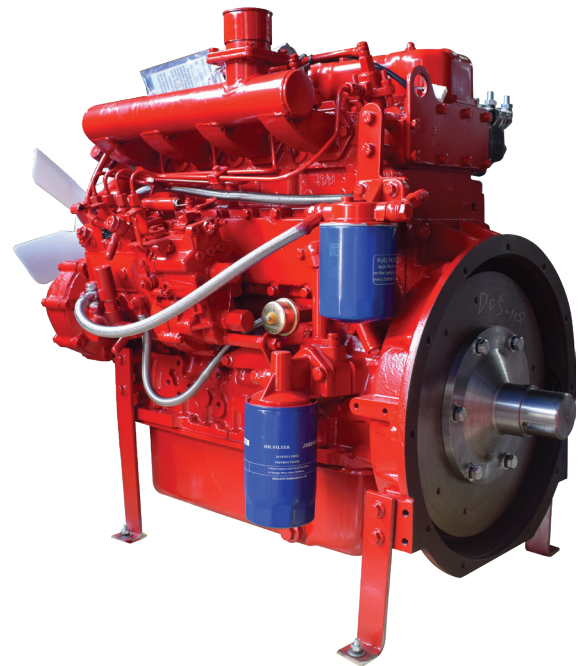
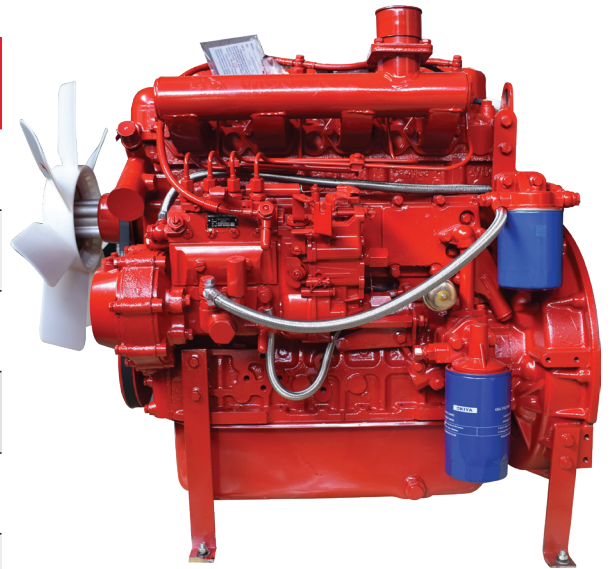




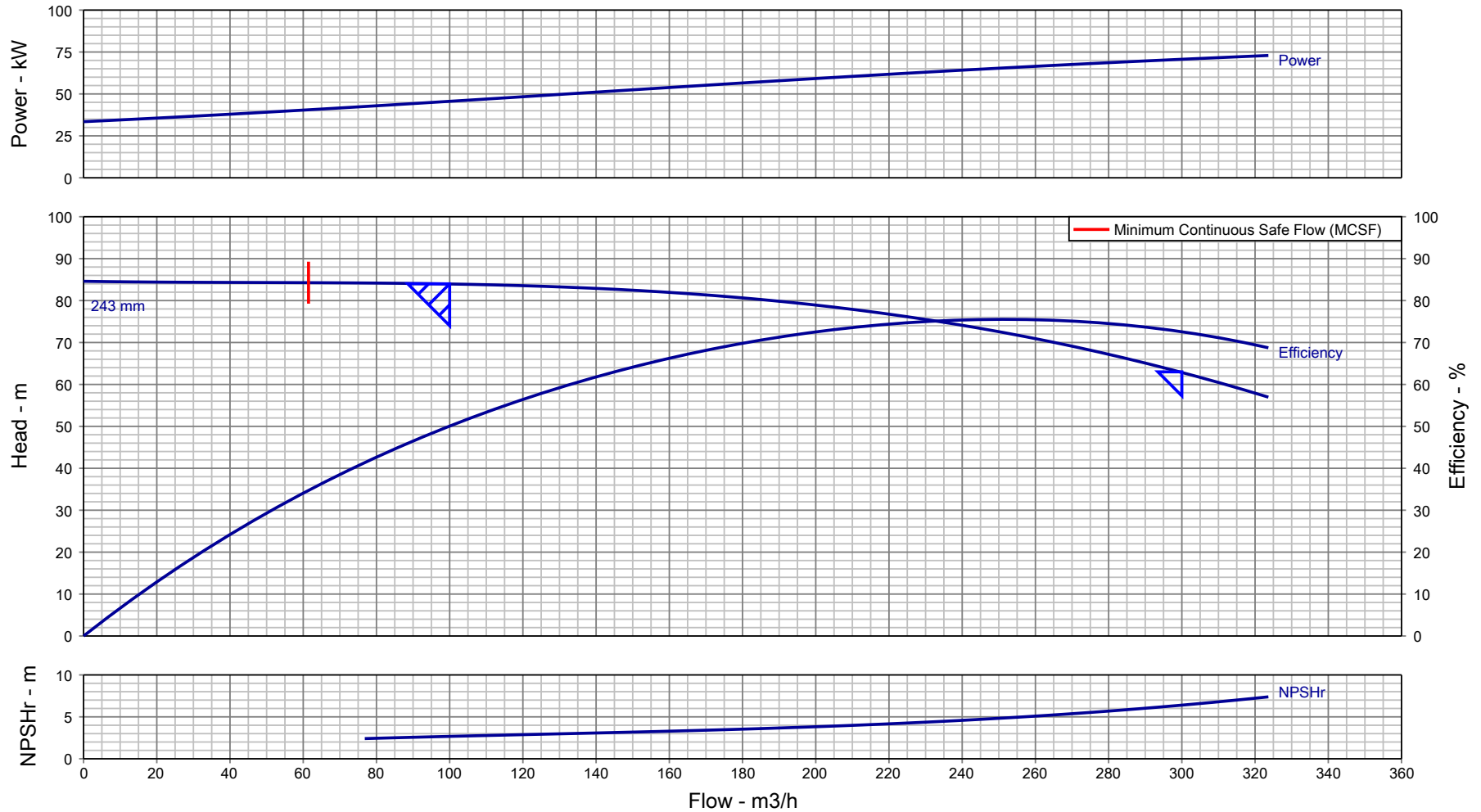
ANHUI QUANCHAI ENGINE CO., LTD

Model		Quanchai 4108QA
Displacement (cc)		4324
Bore x Stroke (mm)		108x118
Aspiration		Natural intake
Rated Power (Kw/Hp/rpm)		76/102/2900
Maximun Torque (N.m/rpm)		270/2100
Dimensions (mm)	Length	917
	Width	635
	Height	1155
Weight in dry (kg)		380
Engine type (stroke)		4
No. of cylinder		4
Cylinder arrangment		In-line
Firing Order		1-3-4-2
<p>Note: The engine is new 100%, manufactured by Quanchai Corporation, China, have CO, CQ.</p>		



Authorised Dealer:
SONG HAN TRADING IMPORT EXPORT CO., LTD
 40 Binh Phu St., Tam Phu Ward, Thu Duc Dist, HCMC, Vietnam
Tel: +84-028-3729-6513
Email: info@songhan-motor.com.vn
Website: www.songhan-motor.com.vn

Pump Performance Curve



Customer :	Pump Size/ Stages : DB 100/26/ 1	Flow, rated : 100.0 m ³ /h
Customer enquiry :	Speed, rated : 2970 rpm	Differential Head : 84.00 m
Project : Default	Based on curve number : HD10223A0 Rev 0	Fluid density rated : 0.998 kg/dm ³
Quote number : 312657	Viscosity : 1.00 cSt	Efficiency : 50.07 %
Item number : 001	Cq/Ch/Ce/Cn [HI2010] : 1.00 / 1.00 / 1.00 / 1.00	Power, rated : 45.60 kW
Quantity : 1	Minimum recommended driver rating : 75.00 kW / 101 hp	NPSH required : 2.67 m
Date last saved : 09 Oct 2020 9:52 AM	Performance testing standard : ISO 9906 / ANSI-HI 14.6 Gr 2B	Liquid Type/ Application : Water

Notes: 1. Performance at shut off condition is approximate. 2. Rated impeller diameter is approximate. 3. Only duty point is guaranteed as per testing standard.



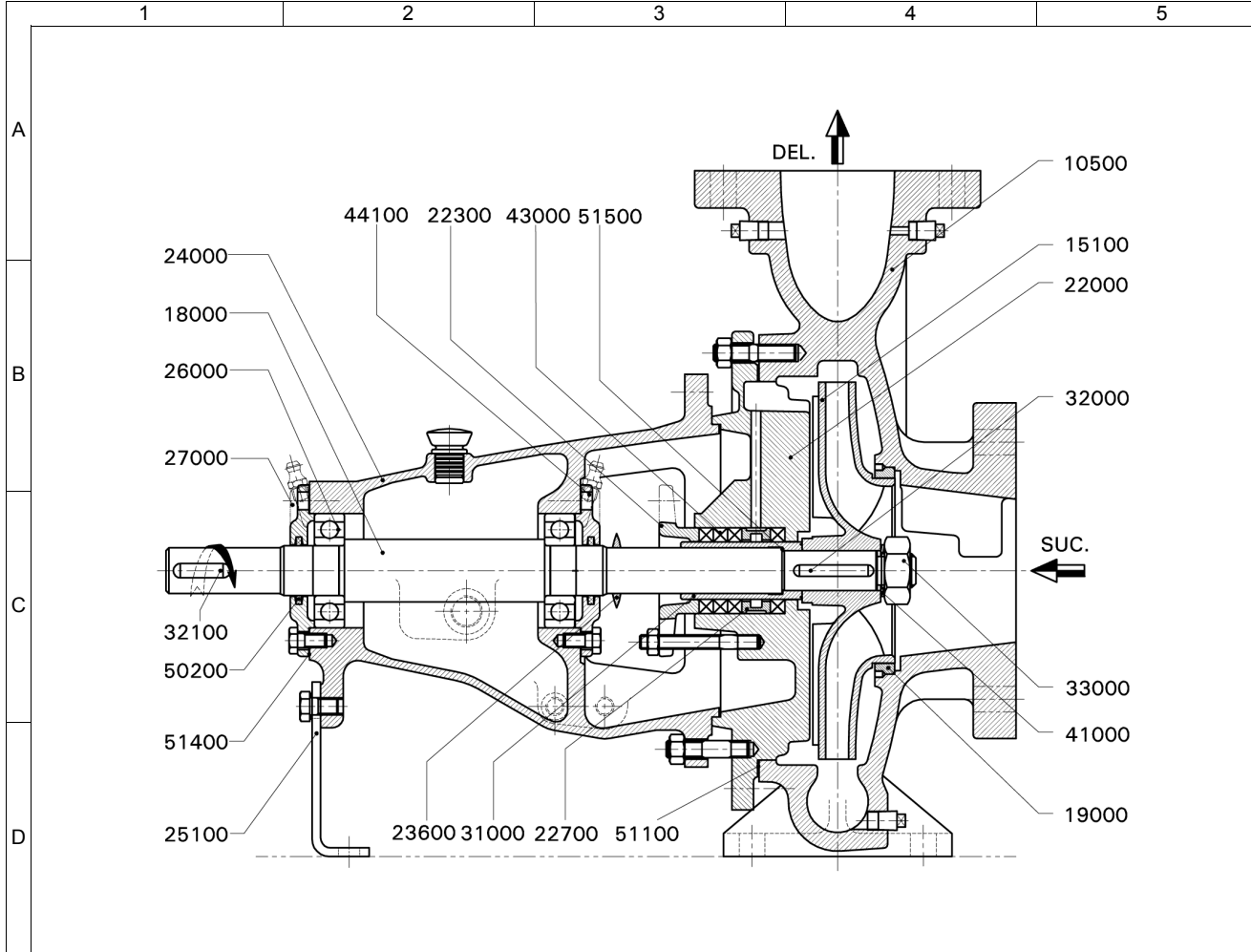
Enriching Lives

Pump Performance Datasheet

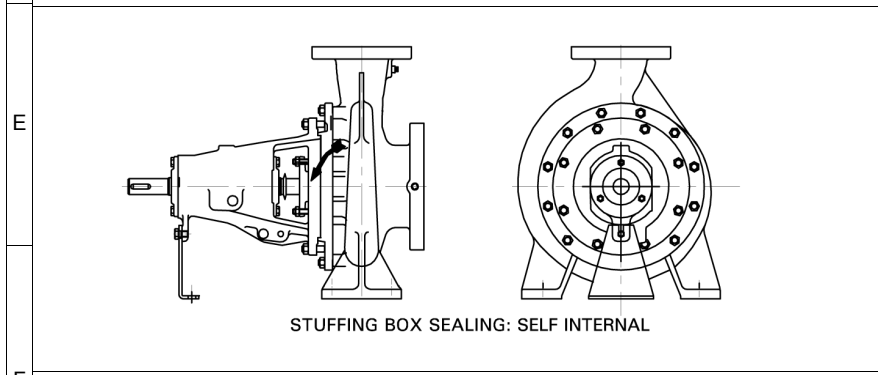
General			
Customer	:	Quote number	: 312657
Customer Enquiry No.	:	Pump model	: DB 100/26
Project	: Default	Stages	: 1
End user	: -	Based on curve number	: HD10223A0 Rev 0
Tag number	: 001	Date last updated	: 09 Oct 2020 9:52 AM
Service	: -	Quantity of pumps	: 1
Operating Conditions		Liquid	
Flow, rated	: 100.0 m3/h	Liquid handled	: Water
Suction pressure, rated / max	: 0.00 bar.g / 0.00 bar.g	Additional liquid description	: Fresh Water
Discharge pressure, rated	: 8.22 bar.g	Temperature, max	: 20.00 deg C
Head, rated (requested)	: 84.00 m	Solids diameter, max	: 0.00 mm
NPSH available, rated	: Value not specified	Solids in suspension by volume	: 0.00 %
Frequency	: 50 Hz	Specific gravity, rated / max	: 0.998 / 0.998 kg/dm3
		Viscosity, Rated / Max.	: 1.00 cSt / -
Performance		Driver & Power Data	
Pump speed, rated	: 2970 rpm	Driver sizing specification	: Maximum Power
Impeller Dia, Rated (Approx.)	: 243 mm	Margin over specification	: 0.00 %
Impeller diameter, maximum	: 264 mm	Power, rated	: 45.60 kW
Impeller diameter, minimum	: 205 mm	-	: -
Efficiency at duty point	: 50.07 %	-	: -
NPSH required / margin required	: 2.67 m / 0.50 m	Driver Rating	: 75KW
MCSF	: 61.45 m3/h		
Cq/Ch/Ce: [-]	: 1.00 / 1.00 / 1.00		
Water eq. duties (Qw/Hw/Ew)	: 100.0 m3/h / 84.00 m / 50.07 %		
Suction / Delivery nozzle size	: 125 mm / 100 mm		
Noise level	: 90 dB		
Vibration level (RMS)	: 5.1 mm/s		
Test standard	: ISO 9906 / ANSI-HI 14.6 Gr 2B		
Starting condition	: Closed Delivery Valve		
Material		Pressure Data	
MOC Code	: 16MOC	Maximum working pressure	: 8.28 bar.g
Material (Casing / Impeller / Shaft)	: CI IS210:FG260 (012) / CI IS210:FG260 (012) / ST ST ASTM A276-410 ANLD (253)	Maximum allowable working pressure	: 16.00 bar.g
-	: -	Maximum allowable suction pressure	: 1.96 bar.g
		Hydrostatic test pressure	: 18.34 bar.g
		Construction	
		Basic construction	: End Suction Pump-OH1
		Impeller type	: Enclosed
		Selection status	: Near Miss
		Rec. Pipe Size (Suc / Del)	: 150 mm / 125 mm



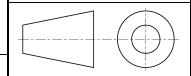
Enriching Lives



PART NO.	PART DESCRIPTION	MAT. CODE	MOC DESCRIPTION
10500	PUMP CASING	012	CI IS210:FG260
15100*	IMPELLER	012	CI IS210:FG260
18000*	PUMP SHAFT	253	ST ST ASTM A276-410 ANLD
19000*	WEAR RING - SUCTION SIDE	012	CI IS210:FG260
22000	CASING COVER	012	CI IS210:FG260
22300	GLAND	012	CI IS210:FG260
22700*	LANTERN RING	364	NYLON
23600*	LIQUID DEFELCTOR	370	NATURAL RUB ASTM D2000AA-70SHORE/7MPa
24000	BEARING HOUSING	012	CI IS210:FG260
25100	SUPPORT FOOT	042	MS IS:5986-Fe410WA (OLD-IS:1079)
26000*	DEEP GROOVE BALL BEARING	000	STEEL
27000	BEARING COVER DE & NDE	012	CI IS 210-FG 260
31000*	SHAFT SLEEVE - GLAND PACKING	565	ST ST ASTM A276-410(210/250BHN)-ANLD
32000*	KEY FOR IMPELLER	253	ST ST ASTM A276-410 ANLD
32100	KEY FOR COUPLING	053	CS IS1570:40C8 HOT RLD
33001*	IMPELLER NUT	664	AUS ST ASTM A194/194M-8M-UNS S31600 (NUT)
41000*	LOCK WASHER-IMPELLER NUT	054	SPRING ST IS:4072-80C6
43000*	GLAND PACKING	810	PTFE BRAIDED WITH GRAPHITE
44100	GREASE NIPPLE	444	CS IS:1367 Part3 CL4.6 CDP
50200*	FELT RING	375	FELT
51100*	GASKET-CASING COVER	702	NON ASBESTOS FERROLITE NAM37 OR EQ
51400*	GASKET-BEARING COVER	702	NON ASBESTOS FERROLITE NAM37 OR EQ
51500*	GASKET-SHAFT SLEEVE	702	NON ASBESTOS FERROLITE NAM37 OR EQ



PUMP	DB 100/26	MOC	16
ENQUIRY NO./DATE	/	QUANTITY	1
PO. NO./DATE	-	TAG NO.	001
QUOTATION NO.	0	DATE.	-
O/A. NO.	-	MISI.	-
CUSTOMER	-		
END USER	-		
PROJECT	Default		
CONSULTANT	-		
SERVICE	-		



Kirloskar Brothers Limited
 KIRLOSARVADI - 416308, DIST.- SANGLI (INDIA)

CROSS SECTIONAL DRAWING

DRAWING NO.	TC02-1
-------------	--------

NOTES:
 • * * * INDICATES RECOMMENDED SPARES.
 • FASTENERS IN LIQUID CONTACT ARE IN CS

IMPORTANT: THIS DRAWING IS THE PROPERTY OF Kirloskar Brothers Limited. AND MUST NOT BE USED OR COPIED WITHOUT THEIR PRIOR AUTHORITY IN WRITING.



Enriching Lives

A

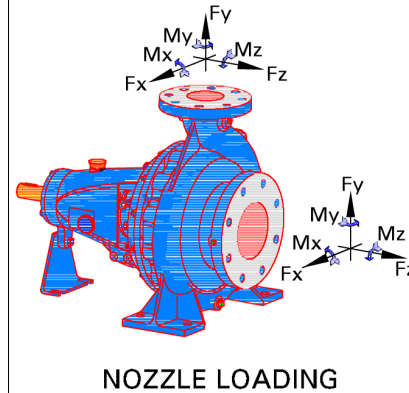
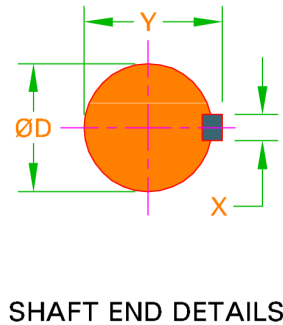
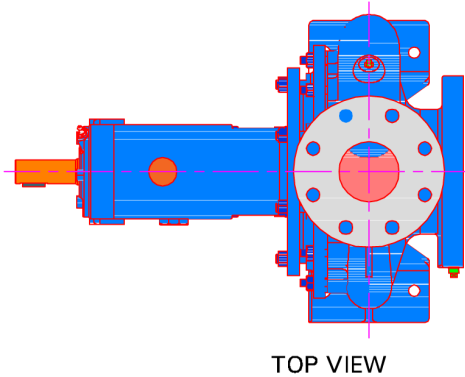
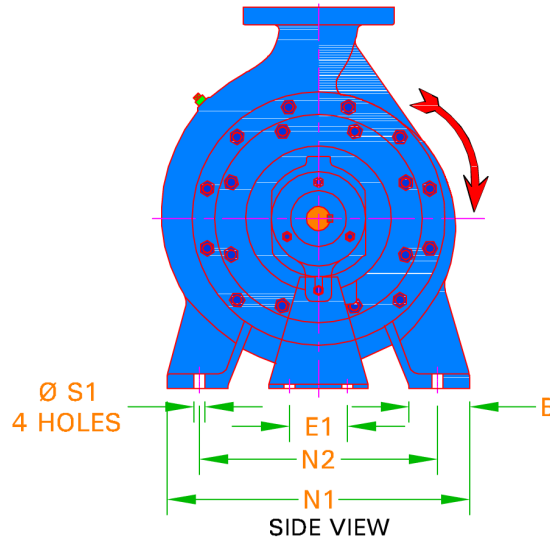
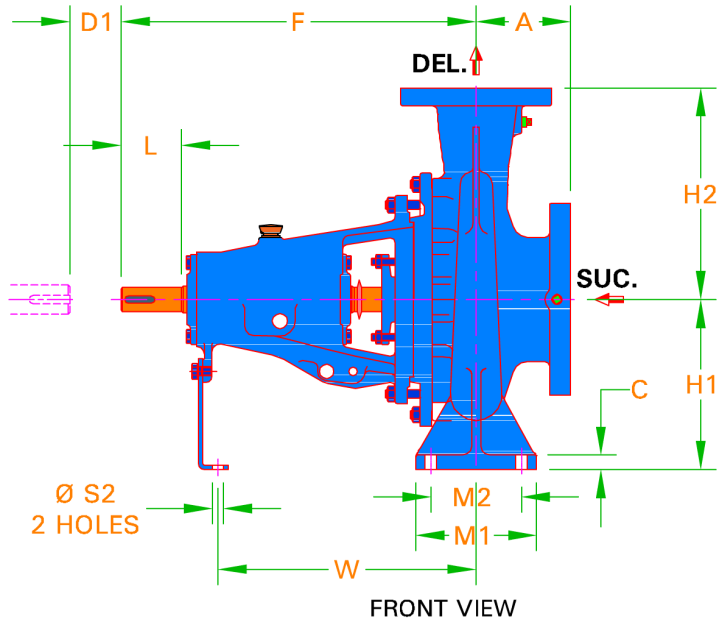
B

C

D

E

F



- NOTES:**
- ALL DIMENSIONS ARE IN mm
 - DIM 'D1' INDICATES THE DISTANCE REQUIRED TO REMOVE BACK PULL OUT ASSEMBLY.

IMPORTANT: THIS DRAWING IS THE PROPERTY OF Kirloskar Brothers Limited AND MUST NOT BE USED OR COPIED WITHOUT THEIR AUTHORITY IN WRITING.

A	F	H1	H2	B	C	M1	M2	N1	N2	S1	E1	S2	W	-	D
140	470	225	280	80.00	16.00	160	120	400	315	18.00	110	14.00	342	-	32.00
X	Y	L	D1	-	-	-	-	-	-	-	-	-	-	-	-
10.00	35.00	80.00	140	-	-	-	-	-	-	-	-	-	-	-	-
-	-	-	-	-	-	-	-	-	-	-	-	-	-	-	-
-	-	-	-	-	-	-	-	-	-	-	-	-	-	-	-

PUMP DUTIES			
CAPACITY	100.0 m ³ /h	EFFICIENCY	50.07 %
TOTAL HEAD	84.00 m	PUMP INPUT	45.60 kW
DENSITY	0.998 kg/dm ³	NPSHR	2.67 m

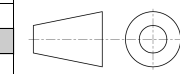
FLANGE DRILLING STANDARD AND DETAILS					
SUCTION	BS EN1092 PN16 FF	DELIVERY	BS EN1092 PN16		
	NOM. SIZE	RF DIA.	P.C.D.	NO OF HOLES	HOLE DIA.
SUCTION	125 mm	N.A.	210 mm	8	18.0
DELIVERY	100 mm	N.A.	180 mm	8	18.0

ALLOWABLE NOZZLE LOADING						
	FORCES			MOMENTS		
	Fx	Fy	Fz	Mx	My	Mz
SUCTION	114.0 kgf	284.0 kgf	227.0 kgf	1,697 N.m	843 N.m	843 N.m
DELIVERY	91.00 kgf	227.0 kgf	182.0 kgf	1,353 N.m	677 N.m	677 N.m

TAPPING DETAILS	
DESCRIPTION	SIZE / TYPE
Suction Gauge	1/2"BSP
Delivery Gauge	1/2"BSP
Casing Drain	3/8"BSP
Casing Vent	NA
Bearing Cooling in / out	NA
Pad Cooling in / out	NA
Priming in	NA
Base Drain	NA

DIRECTION OF ROTATION FROM DE: CLOCKWISE

PUMP	DB 100/26	PUMP WT.	103.0
		GD*2	0.03 kg
REC. DRIVER RATING	75KW	RATED SPEED	2970R
ENQ. NO./DATE	/	QUANTITY	1
PO. NO./DATE	-	TAG NO.	001
QUOTATION NO.	0	DATE	-
O/A NO.	-	MISI	-
CUSTOMER	-		
END USER	-		
PROJECT	Default		
CONSULTANT	-		
SERVICE	-		



Kirloskar Brothers Limited
KIRLOSKARVADI - 416308, DIST. - SANGLI (INDIA)

PUMP OUTLINE DRAWING

DRAWING NO. TL02-1-