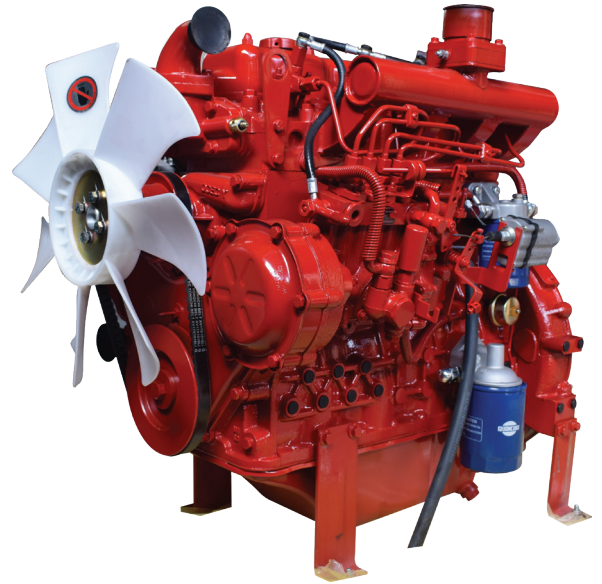




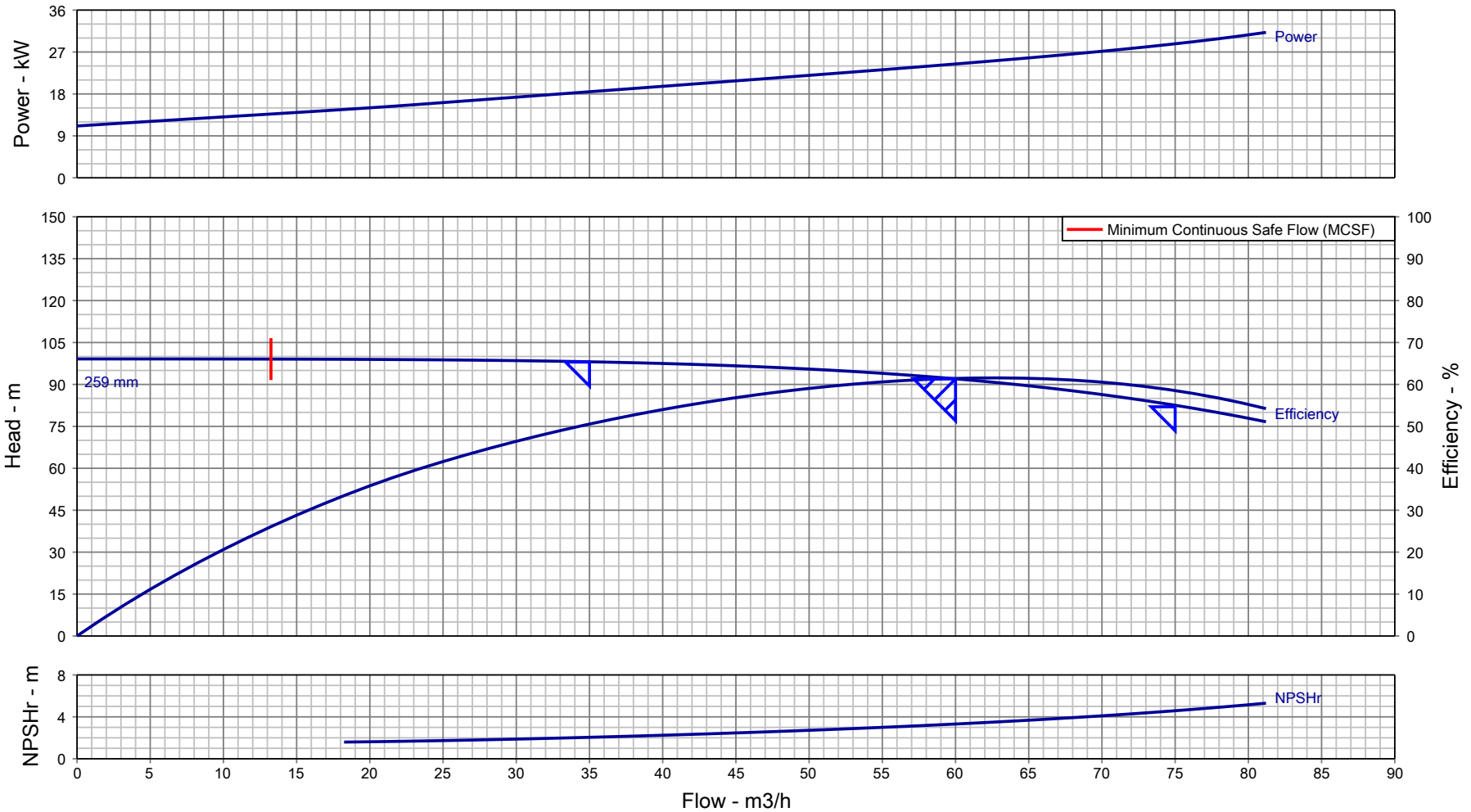
ANHUI QUANCHAI ENGINE CO., LTD

Model		Quanchai QC490Q
Displacement (cc)		2545
Bore x Stroke (mm)		90x100
Aspiration		Natural intake
Rated Power (Kw/Hp/rpm)		45/60/3000
Maximun Torque (N.m/rpm)		149.7/2100
Dimensions (mm)	Length	740
	Width	450
	Height	1103
Weight in dry (kg)		300
Engine type (stroke)		4
No. of cylinder		4
Cylinder arrangment		In-line
Firing Order		1-3-4-2
Note: The engine is new 100%, manufactured by Quanchai Corporation, China, have CO, CQ.		



Authorised Dealer:
SONG HAN TRADING IMPORT EXPORT CO., LTD
40 Binh Phu St., Tam Phu Ward, Thu Duc Dist, HCMC, Vietnam
Tel: +84-028-3729-6513
Email: info@songhan-motor.com.vn
Website: www.songhan-motor.com.vn

Pump Performance Curve



Customer :	Pump Size/ Stages : DB 50/26/ 1	Flow, rated : 60.00 m ³ /h
Customer enquiry :	Speed, rated : 2955 rpm	Differential Head : 92.00 m
Project : Default	Based on curve number : HD10212A0 Rev 0	Fluid density rated : 0.998 kg/dm ³
Quote number : 312657	Viscosity : 1.00 cSt	Efficiency : 61.44 %
Item number : 001	Cq/Ch/Ce/Cn [HI2010] : 1.00 / 1.00 / 1.00 / 1.00	Power, rated : 24.43 kW
Quantity : 1	Minimum recommended driver rating : 37.00 kW / 49.62 hp	NPSH required : 3.32 m
Date last saved : 08 Oct 2020 12:31 PM	Performance testing standard : ISO 9906 / ANSI-HI 14.6 Gr 2B	Liquid Type/ Application : Water

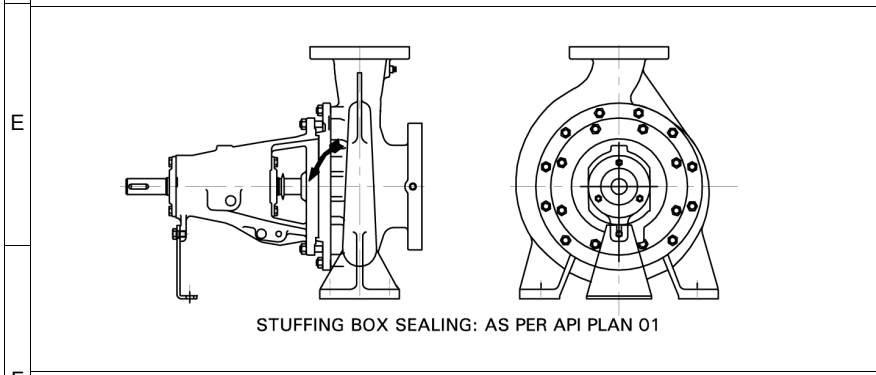
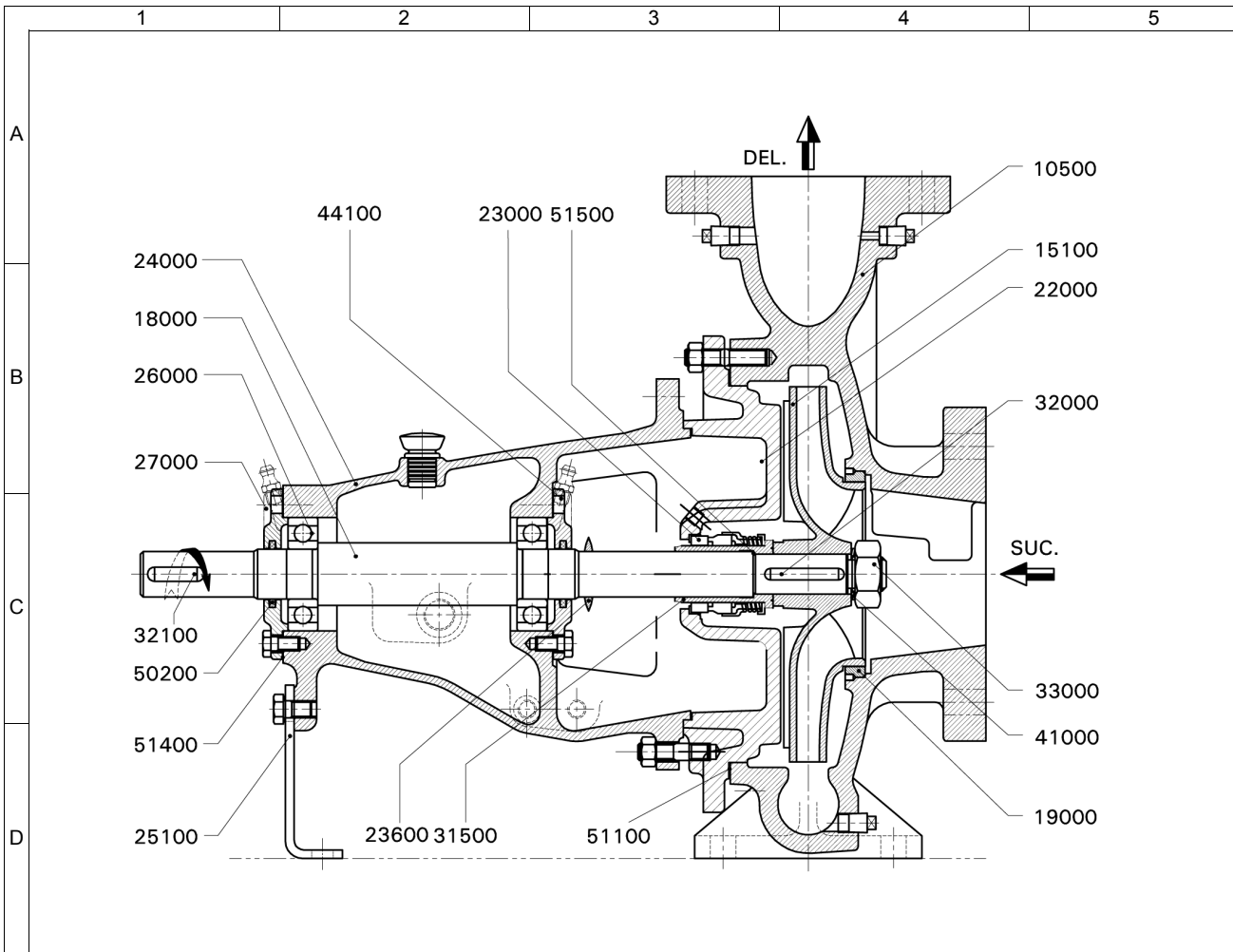
Notes: 1. Performance at shut off condition is approximate. 2. Rated impeller diameter is approximate. 3. Only duty point is guaranteed as per testing standard.



Enriching Lives

Pump Performance Datasheet

General								
Customer	:		Quote number	: 312657				
Customer Enquiry No.	:		Pump model	: DB 50/26				
Project	:	Default	Stages	: 1				
End user	:	-	Based on curve number	: HD10212A0 Rev 0				
Tag number	:	001	Date last updated	: 08 Oct 2020 12:31 PM				
Service	:	-	Quantity of pumps	: 1				
Operating Conditions		Liquid						
Flow, rated	:	60.00 m3/h	Liquid handled	: Water				
Suction pressure, rated / max	:	0.00 bar.g / 0.00 bar.g	Additional liquid description	: Fresh Water				
Discharge pressure, rated	:	9.01 bar.g	Temperature, max	: 20.00 deg C				
Head, rated (requested)	:	92.00 m	Solids diameter, max	: 0.00 mm				
NPSH available, rated	:	Value not specified	Solids in suspension by volume	: 0.00 %				
Frequency	:	50 Hz	Specific gravity, rated / max	: 0.998 / 0.998 kg/dm3				
Performance		Viscosity, Rated / Max.		: 1.00 cSt / -				
		Driver & Power Data						
		Pump speed, rated	:	2955 rpm	Driver sizing specification	: Maximum Power		
		Impeller Dia, Rated (Approx.)	:	259 mm	Margin over specification	: 0.00 %		
		Impeller diameter, maximum	:	264 mm	Power, rated	: 24.43 kW		
		Impeller diameter, minimum	:	205 mm	-	: -		
		Efficiency at duty point	:	61.44 %	-	: -		
		NPSH required / margin required	:	3.32 m / 0.50 m	Driver Rating	: 37KW		
				Pressure Data				
				MCSF	:	13.25 m3/h	Maximum working pressure	: 9.70 bar.g
				Cq/Ch/Ce: [-]	:	1.00 / 1.00 / 1.00	Maximum allowable working pressure	: 16.00 bar.g
Water eq. duties (Qw/Hw/Ew)	:			60.00 m3/h / 92.00 m / 61.44 %	Maximum allowable suction pressure	: 1.96 bar.g		
Suction / Delivery nozzle size	:	65.00 mm / 50.00 mm	Hydrostatic test pressure	: 18.34 bar.g				
Noise level	:	90 dB	Construction					
Vibration level (RMS)	:	5.1 mm/s	Basic construction	: End Suction Pump-OH1				
Test standard	:	ISO 9906 / ANSI-HI 14.6 Gr 2B	Impeller type	: Enclosed				
Starting condition	:	Closed Delivery Valve	Selection status	: Acceptable				
Material		Rec. Pipe Size (Suc / Del)		: 125 mm / 100 mm				
MOC Code	:	16MOC						
Material (Casing / Impeller / Shaft)	:	CI IS210:FG260 (012) / CI IS210:FG260 (012) / ST ST ASTM A276-410 ANLD (253)						
-	:	-						



NOTES:

- " * " INDICATES RECOMMENDED SPARES.
- FASTENERS IN LIQUID CONTACT ARE IN CS

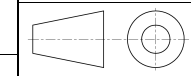
IMPORTANT: THIS DRAWING IS THE PROPERTY OF Kirloskar Brothers Limited. AND MUST NOT BE USED OR COPIED WITHOUT THEIR PRIOR AUTHORITY IN WRITING.



Enriching Lives

PART NO.	PART DESCRIPTION	MAT. CODE	MOC DESCRIPTION
10500	PUMP CASING	012	CI IS210:FG260
15100*	IMPELLER	012	CI IS210:FG260
18000*	PUMP SHAFT	253	ST ST ASTM A276-410 ANLD
19000*	WEAR RING - SUCTION SIDE	012	CI IS210:FG260
22000	CASING COVER	012	CI IS210:FG260
23000*	MECHANICAL SEAL	998	DIN SEAL
23600*	LIQUID DEFELCTOR	370	NATURAL RUB ASTM D2000AA-70SHORE/7MPa
24000	BEARING HOUSING	012	CI IS210:FG260
25100	SUPPORT FOOT	042	MS IS:5986-Fe410WA (OLD-IS:1079)
26000*	DEEP GROOVE BALL BEARING	000	STEEL
27000	BEARING COVER DE & NDE	012	CI IS 210-FG 260
31500*	SHAFT SLEEVE - MECHANICALSEAL	565	ST ST ASTMA276-410(210/250BHN)-ANLD
32000*	KEY FOR IMPELLER	253	ST ST ASTM A276-410 ANLD
32100	KEY FOR COUPLING	053	CS IS1570:40C8 HOT RLD
33001*	IMPELLER NUT	664	AUS ST ASTMA194/194M-8M-UNS S31600 (NUT)
41000*	LOCK WASHER-IMPELLER NUT	054	SPRING ST IS:4072-80C6
44100	GREASE NIPPLE	444	CS IS:1367 Part3 CL4.6 CDP
50200*	FELT RING	375	FELT
51100*	GASKET-CASING COVER	702	NON ASBESTOS FERROLITE NAM37 OR EQ
51400*	GASKET-BEARING COVER	702	NON ASBESTOS FERROLITE NAM37 OR EQ
51500*	GASKET-SHAFT SLEEVE	702	NON ASBESTOS FERROLITE NAM37 OR EQ

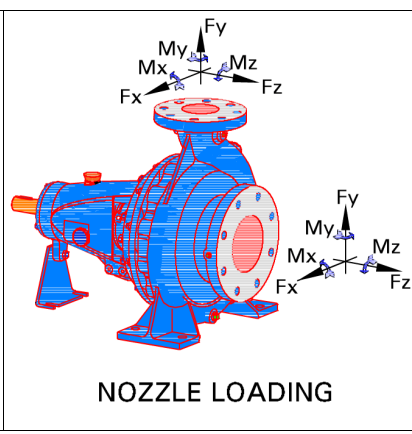
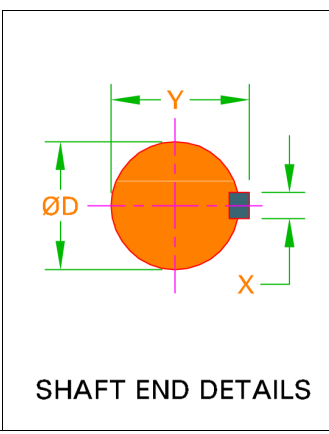
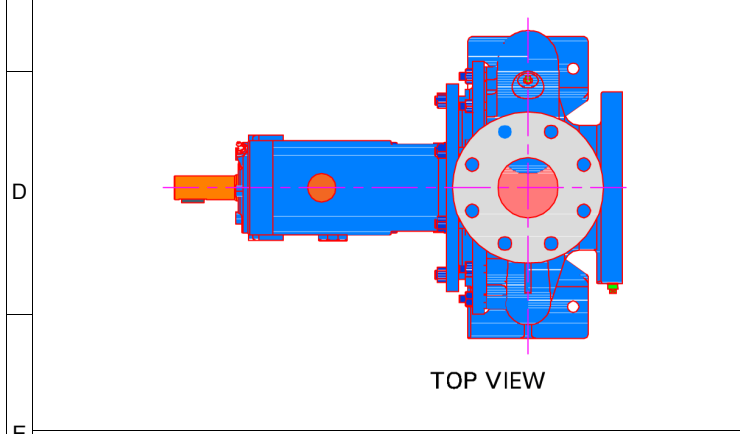
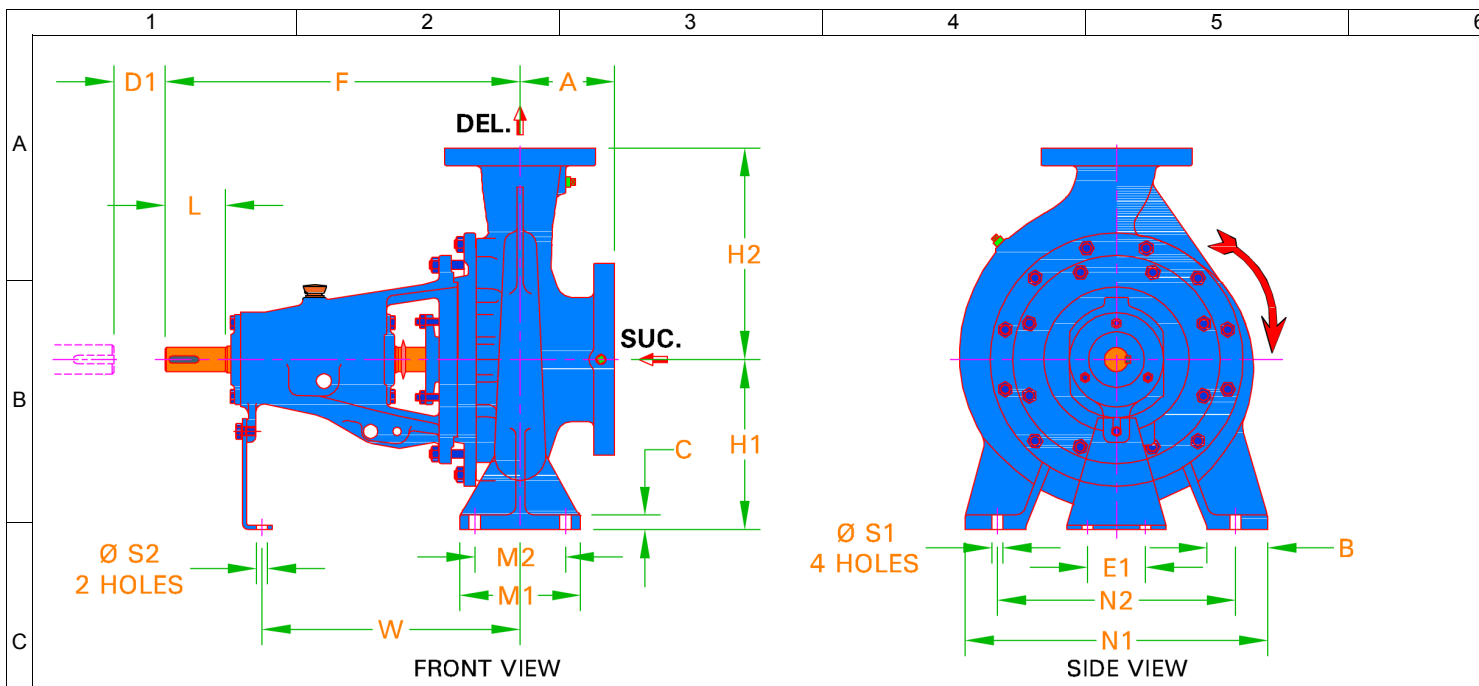
PUMP	DB 50/26	MOC	16
ENQUIRY NO./DATE	/	QUANTITY	1
PO. NO./DATE	-	TAG NO.	001
QUOTATION NO.	0	DATE.	-
O/A. NO.	-	MISI.	-
CUSTOMER	-		
END USER	-		
PROJECT	Default		
CONSULTANT	-		
SERVICE	-		



Kirloskar Brothers Limited
KIRLOS KARVADI - 416308, DIST.- SANGLI (INDIA)

CROSS SECTIONAL DRAWING

DRAWING NO. **TC02-1**



PUMP DUTIES			
CAPACITY	60.00 m ³ /h	EFFICIENCY	61.44 %
TOTAL HEAD	92.00 m	PUMP INPUT	24.43 kW
DENSITY	0.998 kg/dm ³	NPSHR	3.32 m

FLANGE DRILLING STANDARD AND DETAILS					
SUCTION	BS EN1092 PN16 FF		DELIVERY	BS EN1092 PN16	
	NOM. SIZE	RF DIA.	P.C.D.	NO OF HOLES	HOLE DIA.
SUCTION	65.00 mm	N.A.	145 mm	4	18.0
DELIVERY	50.00 mm	N.A.	125 mm	4	18.0

ALLOWABLE NOZZLE LOADING						
	FORCES			MOMENTS		
	Fx	Fy	Fz	Mx	My	Mz
SUCTION	57.00 kgf	142.0 kgf	114.0 kgf	843 N.m	422 N.m	422 N.m
DELIVERY	45.00 kgf	114.0 kgf	91.00 kgf	677 N.m	343 N.m	343 N.m

TAPPING DETAILS	
DESCRIPTION	SIZE / TYPE
Suction Gauge	1/4"BSP
Delivery Gauge	1/4"BSP
Casing Drain	3/8"BSP
Casing Vent	NA
Bearing Cooling in / out	NA
Pad Cooling in / out	NA
Priming in	NA
Base Drain	NA

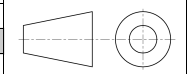
DIRECTION OF ROTATION FROM DE		CLOCKWISE	
-------------------------------	--	-----------	--

PUMP	DB 50/26	PUMP WT.	63.00
		GD*2	0.02 kg
REC. DRIVER RATING	37KW	RATED SPEED	2955R
ENQ. NO./DATE	/	QUANTITY	1
PO. NO./DATE	-	TAG NO.	001
QUOTATION NO.	0	DATE	-
O/A NO.	-	MISI	-
CUSTOMER	-		
END USER	-		
PROJECT	Default		
CONSULTANT	-		
SERVICE	-		

NOTES:
 • ALL DIMENSIONS ARE IN mm
 • DIM 'D1' INDICATES THE DISTANCE REQUIRED TO REMOVE BACK PULL OUT ASSEMBLY.

IMPORTANT: THIS DRAWING IS THE PROPERTY OF Kirloskar Brothers Limited AND MUST NOT BE USED OR COPIED WITHOUT THEIR AUTHORITY IN WRITING.

A	F	H1	H2	B	C	M1	M2	N1	N2	S1	E1	S2	W	-	D
100	360	180	225	65.00	14.00	125	95.00	320	250	14.00	110	14.00	267	-	24.00
X	Y	L	D1	-	-	-	-	-	-	-	-	-	-	-	-
8.00	27.00	50.00	100	-	-	-	-	-	-	-	-	-	-	-	-
-	-	-	-	-	-	-	-	-	-	-	-	-	-	-	-
-	-	-	-	-	-	-	-	-	-	-	-	-	-	-	-



Kirloskar Brothers Limited
 KIRLOS KARVADI - 416308, DIST. - SANGLI (INDIA)

PUMP OUTLINE DRAWING